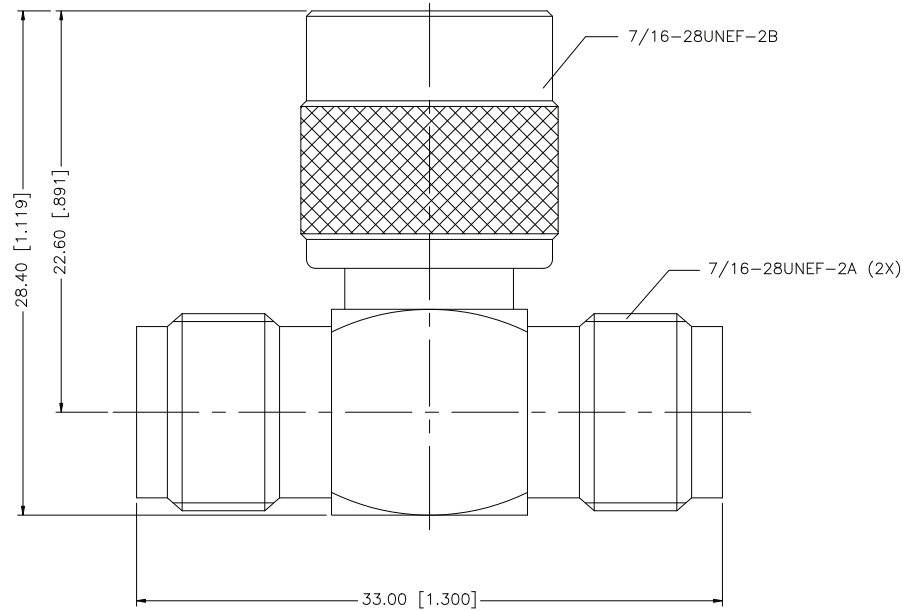


PART NUMBER

KAD177321

REV.

INITIAL

Electrical Data**RoHS Compliant**Impedance 50 Ω 

Drawing not to scale. Dimensions for reference only

Units: mm [inches]

Konnect RFWWW.KONNECTRF.COM
1-800-790-5887

PART NUMBER

KAD177321

DESCRIPTION

Adapter, T-Type, TNC Female Jack to Male Plug to Female Jack

CAGE CODE

664U0

SIGNATURE

X

THIS DRAWING INCLUDING THE DESIGNS IS THE PROPERTY OF KONNECT RF AND IS NOT TO BE USED FOR ANY PURPOSE WITHOUT OUR APPROVAL.

Component

Connectors
Male Contact
Female Contact
Housing
Insulator

Material

Brass
Brass
Phos. Bronze
Brass
Delrin

Plating

Nickel
Gold
Gold
Nickel