

PART NUMBER

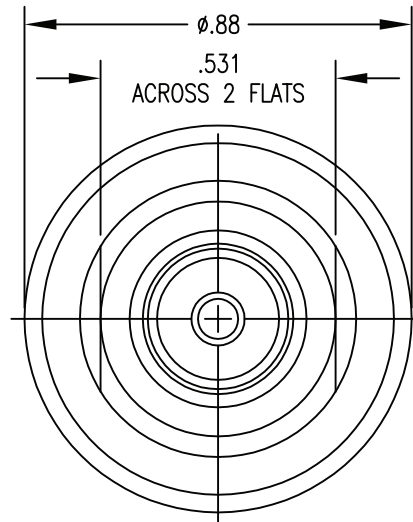
KAD177282

REV.

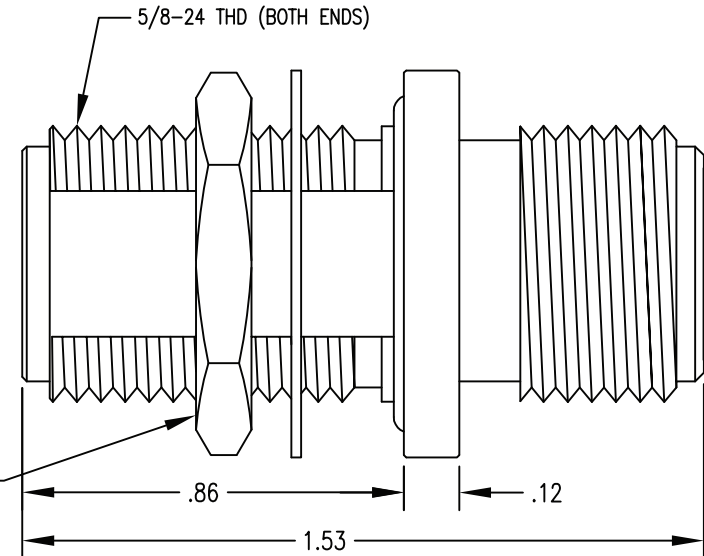
INITIAL

Electrical Data

Impedance 50 Ohms
Frequency Range DC - 2 GHz
Voltage Rating 1000V RMS
DWV 2500V RMS @ 60
Temperature Range -65°C to +165°C

RoHS Compliant

VIEW WITH HEX. NUT AND LOCKWASHER REMOVED

.94 ACROSS FLATS
x .125 THICK**Konnect RF**

www.konnectrf.com
 1-800-790-5887

PART NUMBER

KAD177282

DESCRIPTION

**Adapter - In-Series - N Female Jack to Female Jack
 Bulkhead Mount - Hermetic Seal**

CAGE CODE

664U0

SIGNATURE

X

THIS DRAWING INCLUDING THE
 DESIGNS IS THE PROPERTY OF
 KONNECT RF AND IS NOT TO
 BE USED FOR ANY PURPOSE
 WITHOUT OUR APPROVAL.

Materials

Insulator	Teflon	
Contact	Be-Cu	Gold Plated
Lockwasher	Phosphor Bronze	
Other Metal Parts	Brass	Nickle Plated
O-Ring	Silicone Rubber	
Seal	Glass/Steel	