

PART NUMBER

KAD177281

REV.

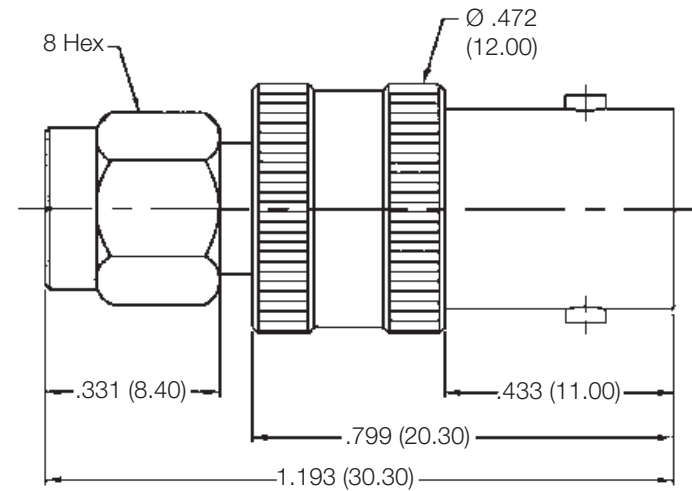
INITIAL

Electrical Data

Impedance 50 Ω
 Frequency Range DC-12.4 GHz
 Working Voltage 500 VRMS Max. @ Sea Level
 Insulation Resistance 5k M Ω Min.
 VSWR 1.15 @ 4 GHz

Mechanical Data

Temperature Range: -65°C - 85°C

RoHS Compliant

Drawing not to scale. Dimensions for reference only

Units: inches (mm)

Konnect RF

WWW.KONNECTRF.COM
 1-800-790-5887

PART NUMBER

KAD177281

DESCRIPTION

**Adapter, Between Series
BNC Female Jack to SMA Male Plug**

CAGE CODE

664U0

SIGNATURE

X

THIS DRAWING INCLUDING THE
 DESIGNS IS THE PROPERTY OF
 KONNECT RF AND IS NOT TO
 BE USED FOR ANY PURPOSE
 WITHOUT OUR APPROVAL.

Component

Body, Shell
 Center Contact
 Gasket
 Insulator

Material

Brass
 Phos.Bronze
 Silicone Rubber
 PTFE

Plating

Nickel
 Gold