

PART NUMBER

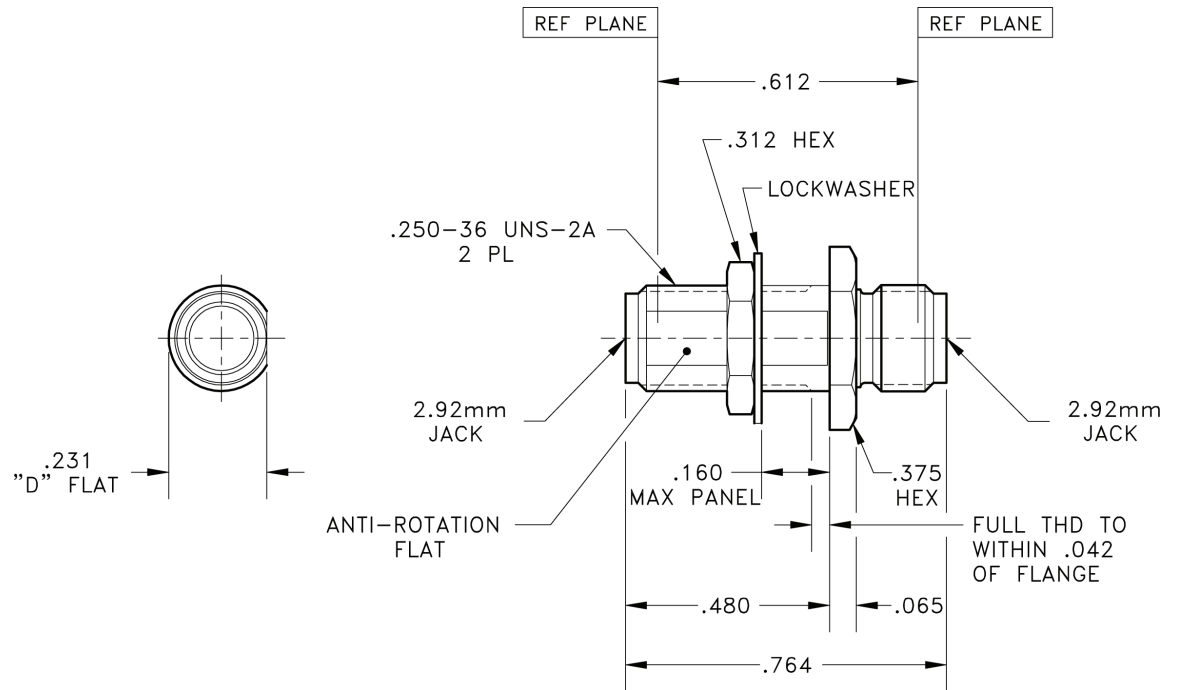
KAD177271

REV.

INITIAL

Electrical Data

Impedance **50 Ω**
 Frequency Range **DC - 40 GHz**



VSWR and Frequency Range Specifications are for reference and are dependant on cable type and other application specific conditions

Drawing not to scale. Dimensions for reference only

Konnect RF

WWW.KONNECTRF.COM
 540 NW University Blvd. Ste. 109
 Port Saint Lucie, Florida, 34986
 1-800-790-5887

PART NUMBER

KAD177271

DESCRIPTION

Adapter - In-Series - 2.92mm Female Jack to 2.92mm Female Jack - Bulkhead

CAGE CODE

664U0

SIGNATURE

X

Materials

Housing
Center Contact

Stainless Steel
Be-Cu

Passivated
Gold Plated

THIS DRAWING INCLUDING THE DESIGNS IS THE PROPERTY OF KONNECT RF AND IS NOT TO BE USED FOR ANY PURPOSE WITHOUT OUR APPROVAL.