

PART NUMBER

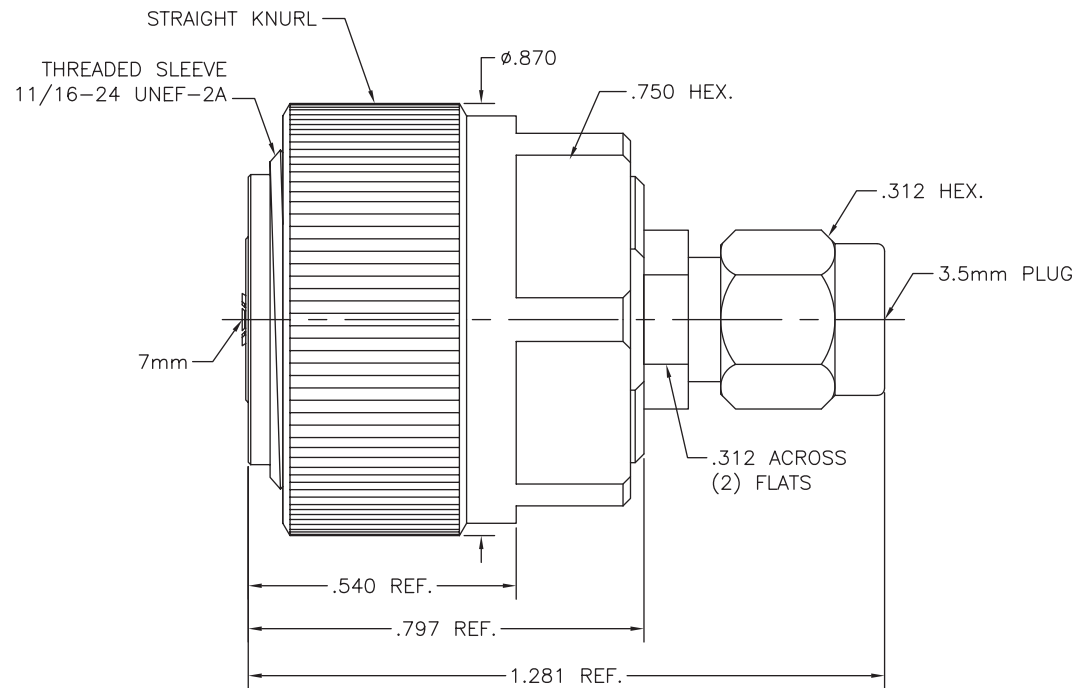
KAD177247

REV.

DATE

COMMENTS

INITIAL

Electrical DataImpedance 50 Ω **RoHS Compliant**

Drawing not to scale. Dimensions for reference only

Units: inches

Konnect RFWWW.KONNECTRF.COM
1-800-790-5887

PART NUMBER

KAD177247

DESCRIPTION

Adapter, Between Series, 7mm to 3.5mm Male Plug

CAGE CODE

664U0

SIGNATURE

X

Component
Body**Material**
Stainles Steel**Plating/Finish**
PassivatedTHIS DRAWING INCLUDING THE
DESIGNS IS THE PROPERTY OF
KONNECT RF AND IS NOT TO
BE USED FOR ANY PURPOSE
WITHOUT OUR APPROVAL.