

PART NUMBER

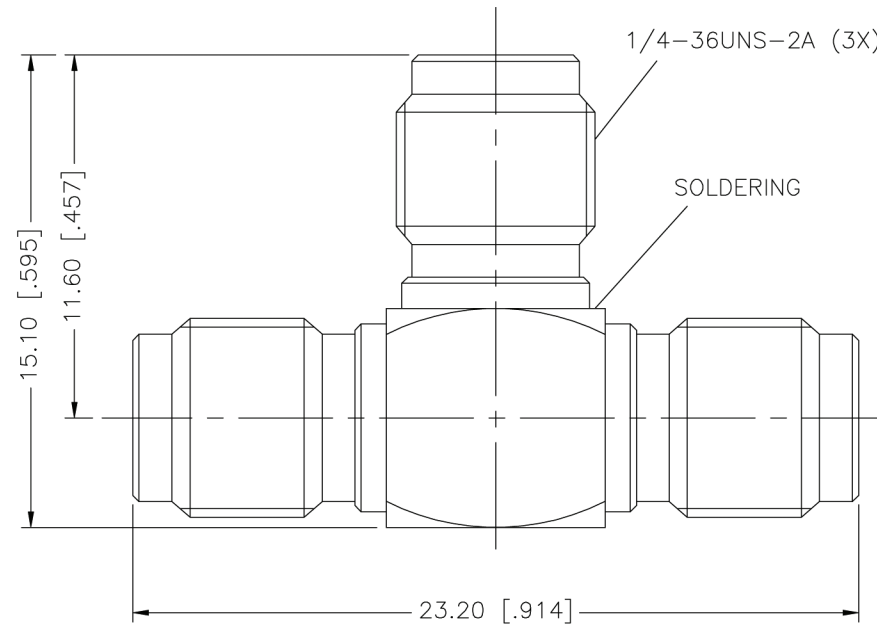
KAD177238

REV.

DATE

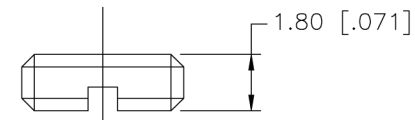
DESC.

INITIAL

Electrical DataImpedance 50 Ω **RoHS Compliant**

VSWR and Frequency Range Specifications are for reference and are dependant on cable type and other application specific conditions

Drawing not to scale. Dimensions for reference only



540 NW University Blvd. Ste. 109
Port Saint Lucie, Florida, 34986
1-800-790-5887

PART NUMBER

KAD177238

DESCRIPTION

Adapter - T-Type - SMA Female Jack to Female Jack to Female Jack

CAGE CODE

664U0

SIGNATURE

X

Materials

Body
Contact Pin
Insulator

Brass
Be.Cu
PTFE

Gold Plated
Gold Plated

THIS DRAWING INCLUDING THE DESIGNS IS THE PROPERTY OF KONNECT RF AND IS NOT TO BE USED FOR ANY PURPOSE WITHOUT OUR APPROVAL.