

PART NUMBER

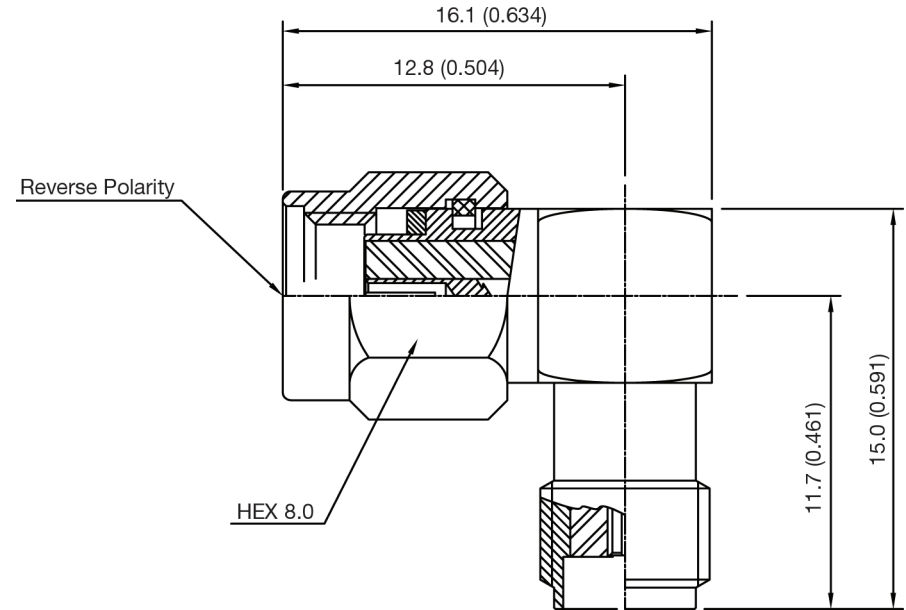
KAD177233

REV.

INITIAL

Electrical Data

Impedance 50 Ω
 Frequency Range DC - 6.0 GHz
 VSWR 1.2:1 Max.
 Insulation Resistance 5000M Ω

RoHS Compliant

VSWR and Frequency Range Specifications are for reference and are dependant on cable type and other application specific conditions

Drawing not to scale. Dimensions for reference only

WWW.KONNECTRF.COM
 540 NW University Blvd. Ste. 109
 Port Saint Lucie, Florida, 34986
 1-800-790-5887

PART NUMBER

KAD177233

DESCRIPTION

**Adapter - In-Series - SMA Right Angle Male Plug
 Reverse Polarity to Female Jack**

CAGE CODE

664U0

SIGNATURE

X

Materials

Body	Brass	Gold Plated
Center Contact	Be-Cu	Gold Plated
Coupling Cap	Brass	Gold Plated
Insulator	PTFE	

THIS DRAWING INCLUDING THE DESIGNS IS THE PROPERTY OF KONNECT RF AND IS NOT TO BE USED FOR ANY PURPOSE WITHOUT OUR APPROVAL.