

PART NUMBER

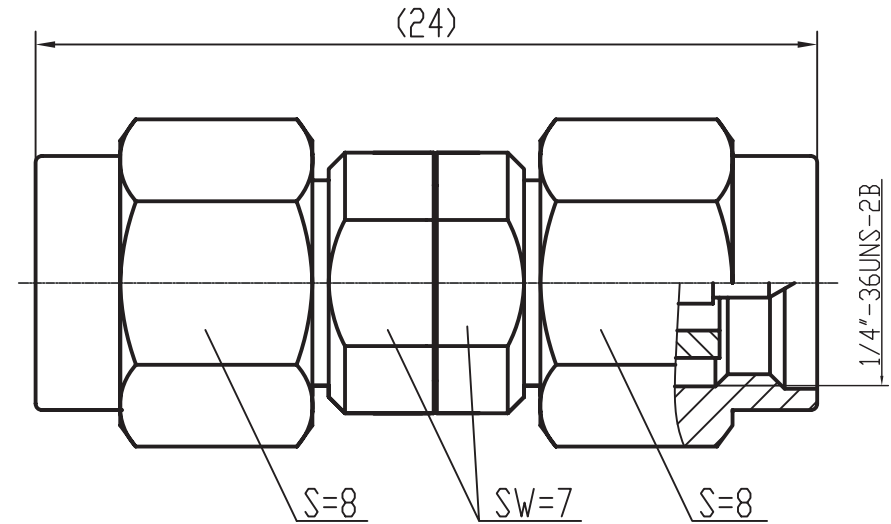
KAD177214

REV.

INITIAL

Electrical Data

Impedance	50 Ω
Frequency Range	DC - 40 GHz
Contact Resistance	
Center Conductor	$\leq 4.0 \text{ M}\Omega$
Out Conductor	$\leq 2.0 \text{ M}\Omega$
Insulation Resistance	$\geq 3000 \text{ M}\Omega$
Insulator Withstanding	1000V
VSWR	≤ 1.30
Durability	500 Cycles

RoHS Compliant

Drawing not to scale. Dimensions for reference only

Units: mm

Konnect RF

WWW.KONNECTRF.COM
1-800-790-5887

PART NUMBER

KAD177214

DESCRIPTION

**Adapter, In-Series,
2.92mm Male Plug to Male Plug**

CAGE CODE

664U0

SIGNATURE

X

THIS DRAWING INCLUDING THE
DESIGNS IS THE PROPERTY OF
KONNECT RF AND IS NOT TO
BE USED FOR ANY PURPOSE
WITHOUT OUR APPROVAL.

Component

Body
Female Center Contact
Male Center Contact
Insulator

Material

Brass
Be.Cu
Brass
PEI

Plating

Gold
Gold
Gold