

PART NUMBER

KAD177206

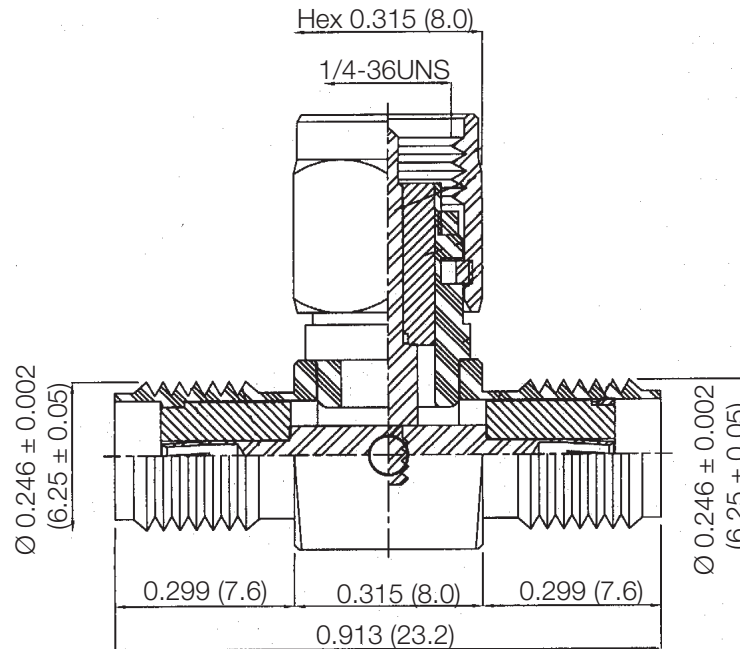
REV.

INITIAL

Electrical Data

RoHS Compliant

Impedance

50 Ω 

Drawing not to scale. Dimensions for reference only

Units: inches (mm)

Konnect RF

WWW.KONNECTRF.COM
1-800-790-5887

PART NUMBER

KAD177206

DESCRIPTION

Adapter - T Type - SMA Female Jack to Male Plug to Female Jack

CAGE CODE

664U0

SIGNATURE

X

THIS DRAWING INCLUDING THE DESIGNS IS THE PROPERTY OF KONNECT RF AND IS NOT TO BE USED FOR ANY PURPOSE WITHOUT OUR APPROVAL.

Component

Body
Center Contact
Insulator

Material

Brass
Brass
PTFE

Plating

Nickel
Gold