

PART NUMBER

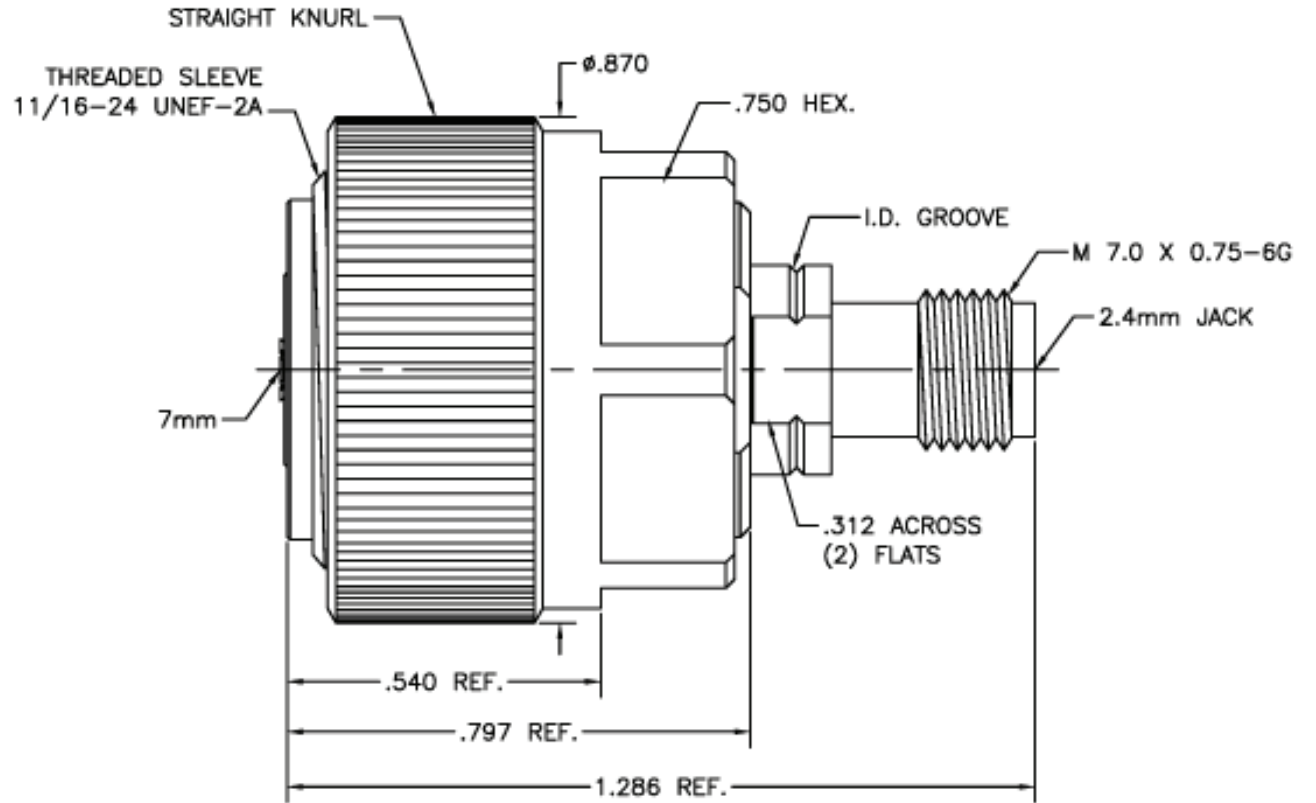
KAD177204

REV.

INITIAL

Electrical Data

Impedance

50 Ω **RoHS Compliant**

VSWR and Frequency Range Specifications are for reference and are dependant on cable type and other application specific conditions

Drawing not to scale. Dimensions for reference only

WWW.KONNECTRF.COM
540 NW University Blvd. Ste. 109
Port Saint Lucie, Florida, 34986
1-800-790-5887

PART NUMBER

KAD177204

DESCRIPTION

**Adapter - Between Series
7mm to 2.4mm Female Jack**

CAGE CODE

664U0

SIGNATURE

X

Materials

**Body
Contact**

**Stainless Steel
Be.Bronze**

**Passivated
Gold Plated**

THIS DRAWING INCLUDING THE DESIGNS IS THE PROPERTY OF KONNECT RF AND IS NOT TO BE USED FOR ANY PURPOSE WITHOUT OUR APPROVAL.