

PART NUMBER

KAD177174

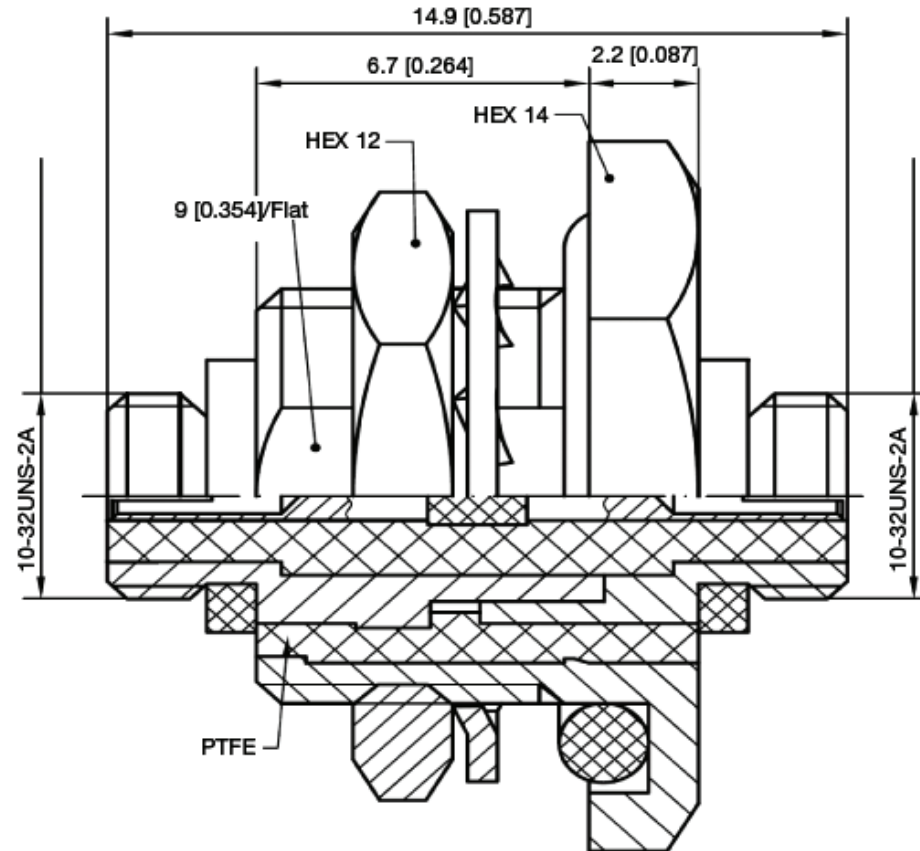
REV.

INITIAL

Electrical Data

Impedance	50 Ω
Frequency Range	DC - 2 GHz
VSWR	1.4 Max.
Insertion Loss	0.2dB Max.
Insulation Resistance	1000M Ω Min.
Test Voltage	750V rms
Working Voltage	250V rms
Durability	500 Cycles Min.
Temperature	-55° + 125°C

All Materials Are RoHS Compliant

RoHS Compliant

VSWR and Frequency Range Specifications are for reference and are dependant on cable type and other application specific conditions

Drawing not to scale. Dimensions for reference only

WWW.KONNECTRF.COM
540 NW University Blvd. Ste. 109
Port Saint Lucie, Florida, 34986
1-800-790-5887

PART NUMBER

KAD177174

DESCRIPTION

**Adapter - In-Series - 10-32 Female Jack
to Female Jack - Bulkhead - Isolated Ground**

CAGE CODE

664U0

SIGNATURE

X

Materials

Body / Nut

Brass

Nickel Plated

Lock Washer

Phos.Bronze

Nickel Plated

O-Ring

Silicone Rubber

Center Contact

Be.Bronze

Gold Plated

Insulator

PTFE

THIS DRAWING INCLUDING THE DESIGNS IS THE PROPERTY OF KONNECT RF AND IS NOT TO BE USED FOR ANY PURPOSE WITHOUT OUR APPROVAL.