

PART NUMBER

KAD177171

REV.

DATE

COMMENTS

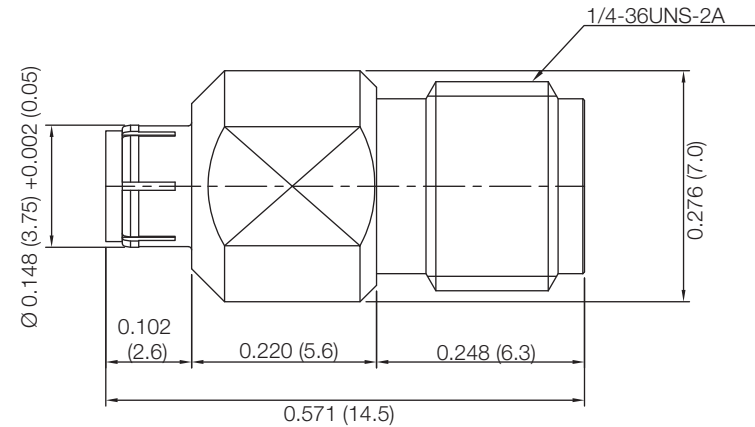
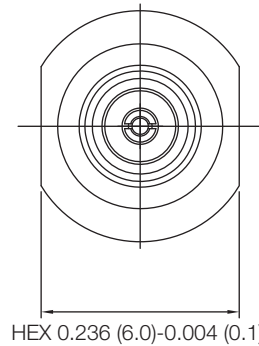
INITIAL

RoHS Compliant**Electrical Data**

Impedance 50 Ω
 Frequency Range DC - 12.4 GHz.
 Return Loss DC to 2.5 GHz @ ≥ 32 dB
 2.5 to 6.0 GHz @ ≥ 30 dB
 6.0 to 12.4 GHz @ ≥ 16 dB

Mechanical Data

Temperature Range: -55 $^{\circ}\text{C}$ - 155 $^{\circ}\text{C}$



Drawing not to scale. Dimensions for reference only

Units: inches (mm)

Konnect RF

WWW.KONNECTRF.COM
 1-800-790-5887

PART NUMBER

KAD177171

DESCRIPTION

Adapter, Between Series, SMA Female Jack to MMBX Male Plug

CAGE CODE

664U0

SIGNATURE

X

THIS DRAWING INCLUDING THE
 DESIGNS IS THE PROPERTY OF
 KONNECT RF AND IS NOT TO
 BE USED FOR ANY PURPOSE
 WITHOUT OUR APPROVAL.

Component
 Body
 Center Contact
 Insulator

Material
 Brass
 BeCu
 PTFE

Plating
 NPA
 NPA