

PART NUMBER

**KAD177154**

REV.

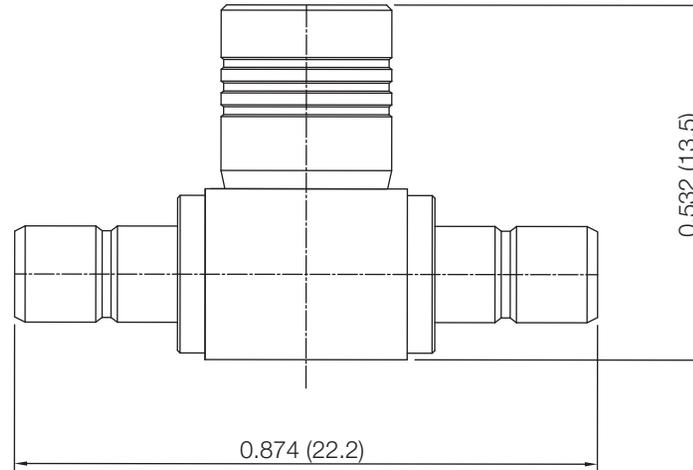
DATE

COMMENTS

INITIAL

**Electrical Data**Impedance 50  $\Omega$ 

RoHS Compliant



Drawing not to scale. Dimensions for reference only

Units: inches (mm)

WWW.KONNECTRF.COM  
1-800-790-5887

PART NUMBER

**KAD177154**

DESCRIPTION

**Adapter, T-Type, SMB Male Jack to Female Plug to Male Jack**

CAGE CODE

**664U0**

SIGNATURE

X

**Component**

Body  
Center Female Contact  
Center Male Contact  
Insulator

**Material**

Brass  
BeCu  
Brass  
PTFE

**Plating**

Gold  
Gold  
Gold

THIS DRAWING INCLUDING THE  
DESIGNS IS THE PROPERTY OF  
KONNECT RF AND IS NOT TO  
BE USED FOR ANY PURPOSE  
WITHOUT OUR APPROVAL.