

PART NUMBER

KAD177151

REV.

DATE

COMMENTS

INITIAL

A

04/20/2023

Updated Body

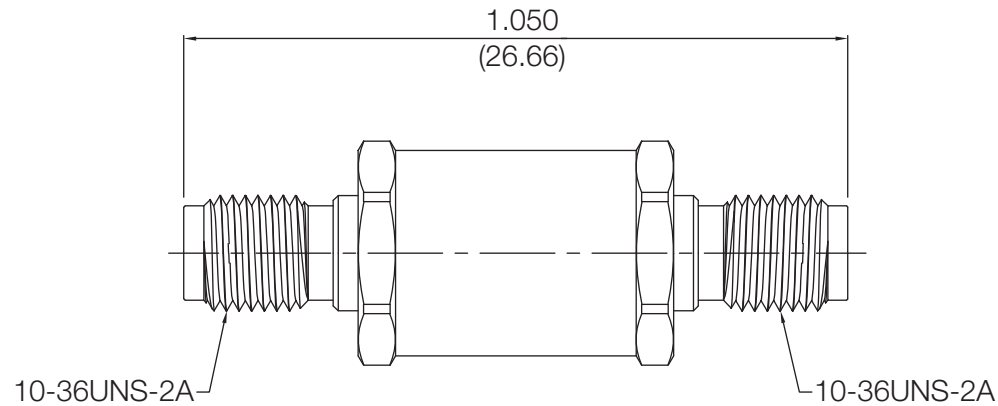
*JF***Electrical Data**

Impedance 50 Ω
 Frequency Range DC - 40 GHz
 VSWR ≤ 1.20

Mechanical Data

Temperature Range -55 °C - 125 °C

RoHS Compliant



Drawing not to scale. Dimensions for reference only

Units: inches (mm)

Konnect RF

WWW.KONNECTRF.COM
 1-800-790-5887

PART NUMBER

KAD177151

DESCRIPTION

**Adapter, In-Series, SSMA Straight Female
SSMA Jack to Female Jack**

CAGE CODE

664U0

SIGNATURE

X

Component
 Body
 Center Contact
 Insulator

Material
 Stainless Steel
 BeCu
 PTFE & PEI

Plating/Finish
 Passivated
 Gold

THIS DRAWING INCLUDING THE
 DESIGNS IS THE PROPERTY OF
 KONNECT RF AND IS NOT TO
 BE USED FOR ANY PURPOSE
 WITHOUT OUR APPROVAL.