

PART NUMBER

KAD177147

REV.

DATE

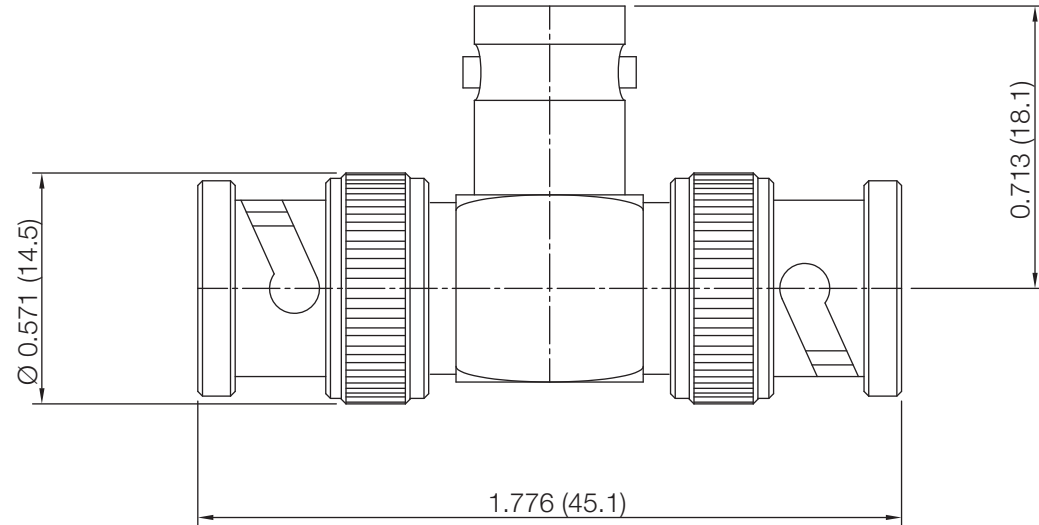
COMMENTS

INITIAL

Electrical Data

Impedance	50 Ω
Frequency Range	DC - 4 GHz
VSWR	2.0:1 max @ DC - 4 GHz

RoHS Compliant



Drawing not to scale. Dimensions for reference only

Units: inches (mm)

Konnnect RF

WWW.KONNECTRF.COM
1-800-790-5887

PART NUMBER

KAD177147

DESCRIPTION

Adapter, T-Type, BNC Male Plug to Female Jack to Male Plug

CAGE CODE

664U0

SIGNATURE

X

THIS DRAWING INCLUDING THE DESIGNS IS THE PROPERTY OF KONNECT RF AND IS NOT TO BE USED FOR ANY PURPOSE WITHOUT OUR APPROVAL.

Component

Body
Center Contact

Insulator
Gasket
Coupling Cap

Material

Brass
BeCu
Brass
PTFE
Silicone Rubber
Zinc

Plating

Nickel
Gold
Gold

Nickel