

PART NUMBER

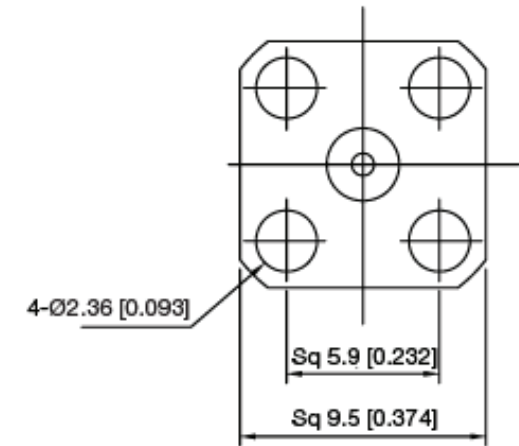
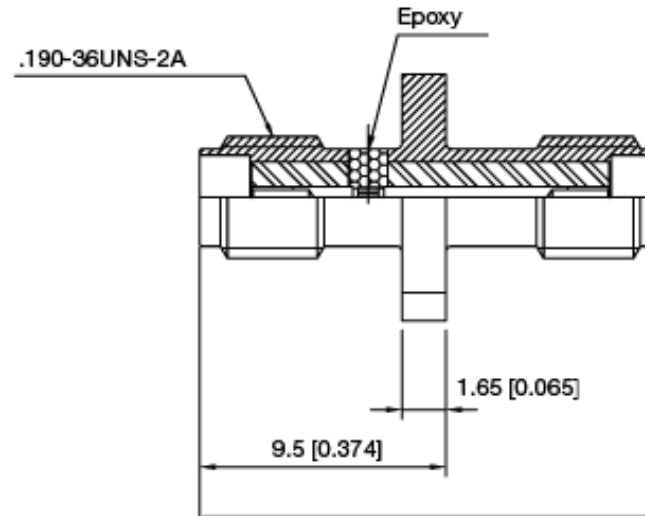
**KAD177144**

REV.

INITIAL

**Electrical Data**

Impedance	50 $\Omega$
Frequency Range	DC - 26.0 GHz
Insulation Resistance	5000 M $\Omega$ Min.
Contact Resistance	$\leq 3$ M $\Omega$
Working Voltage	500 V rms Max.
DWV	750 V Min.

**RoHS Compliant**

VSWR and Frequency Range Specifications are for reference and are dependant on cable type and other application specific conditions

Drawing not to scale. Dimensions for reference only

WWW.KONNECTRF.COM  
540 NW University Blvd. Ste. 109  
Port Saint Lucie, Florida, 34986  
1-800-790-5887

PART NUMBER

**KAD177144**

DESCRIPTION

**Adapter - In-Series - SSMA Straight Female Jack To Female Jack - 4 Hole Flange Mount**

CAGE CODE

**664U0**

SIGNATURE

X

**Materials**

Body / Nut  
Center Contact  
Insulator

Stainless Steel  
Be.Cu  
PTFE

Passivated  
Gold Plated

THIS DRAWING INCLUDING THE DESIGNS IS THE PROPERTY OF KONNECT RF AND IS NOT TO BE USED FOR ANY PURPOSE WITHOUT OUR APPROVAL.