

PART NUMBER

KAD177136

REV.

DATE

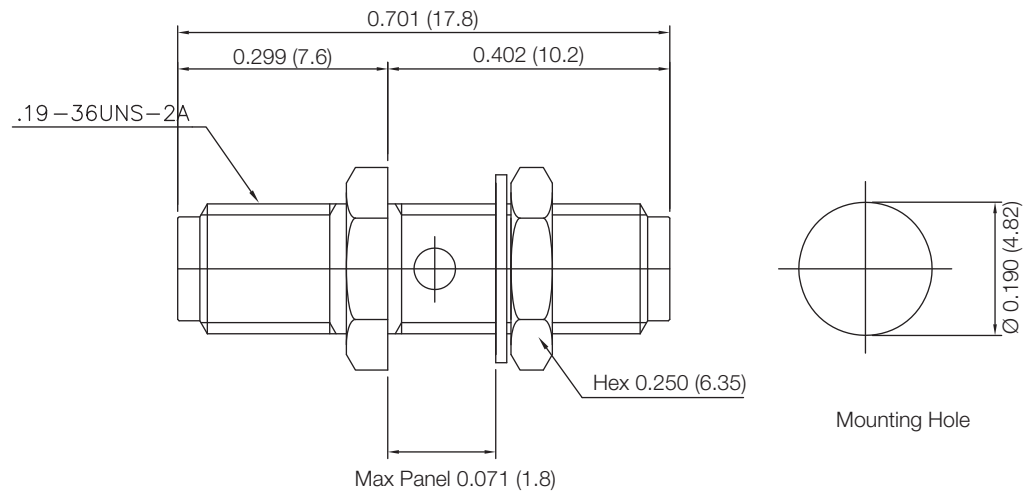
COMMENTS

INITIAL

Electrical Data

Impedance	50 Ω
Frequency Range	DC -26 GHz.
Working Voltage	500 VRMS max
Contact Resistance	<3 m Ω
Insulation Resistance	5,000 M Ω Min
Dielectric Withstanding Voltage	750 V Min

RoHS Compliant



Drawing not to scale. Dimensions for reference only

Units: inches (mm)

Konnect RF

WWW.KONNECTRF.COM
1-800-790-5887

PART NUMBER

KAD177136

DESCRIPTION

**Adapter, In-series, SSMA Straight
Female Jack to Female Jack, Bulkhead**

CAGE CODE

664U0

SIGNATURE

X

THIS DRAWING INCLUDING THE
DESIGNS IS THE PROPERTY OF
KONNECT RF AND IS NOT TO
BE USED FOR ANY PURPOSE
WITHOUT OUR APPROVAL.

Component

Body & Nut
Center Contact
Insulator

Material

Stainless Steel
BeCu
PTFE

Plating/Finish

Passivated
Gold