

PART NUMBER

KAD177134

REV.

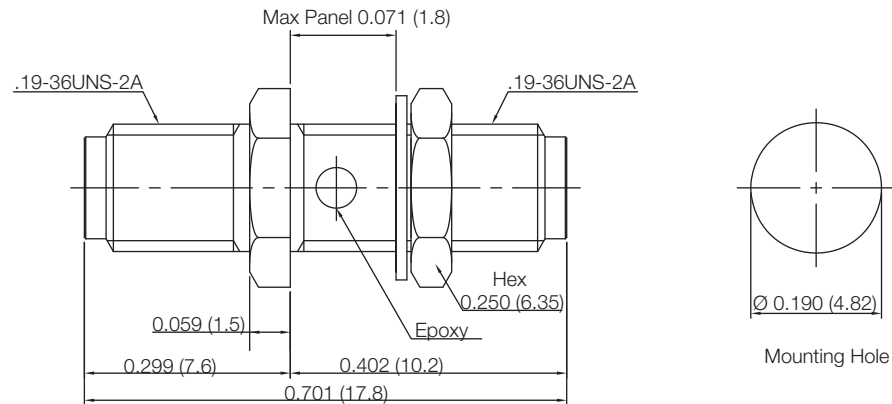
DATE

COMMENTS

INITIAL

Electrical Data

Impedance	50 Ω
Frequency Range	DC - 26 GHz.
Voltage Rating	500 VRMS max
Contact Resistance	
Center	$\leq 3 \text{ m}\Omega$
Insulation Resistance	$\geq 5,000 \text{ M}\Omega \text{ min}$
Dielectric Withstanding Voltage	750 VRMS

RoHS Compliant

Drawing not to scale. Dimensions for reference only

Units: inches (mm)

Konnect RF

WWW.KONNECTRF.COM
1-800-790-5887

PART NUMBER

KAD177134

DESCRIPTION

Adapter, In-series, SSMA Straight Female Jack to Female Jack

CAGE CODE

664U0

SIGNATURE

X

THIS DRAWING INCLUDING THE
DESIGNS IS THE PROPERTY OF
KONNECT RF AND IS NOT TO
BE USED FOR ANY PURPOSE
WITHOUT OUR APPROVAL.

Component

Body & Nut
Center Contact
Insulator

Material

Stainless Steel
BeCu
PTFE

Plating

Gold
Gold