

PART NUMBER

**KAD177118**

REV.

DATE

COMMENTS

INITIAL

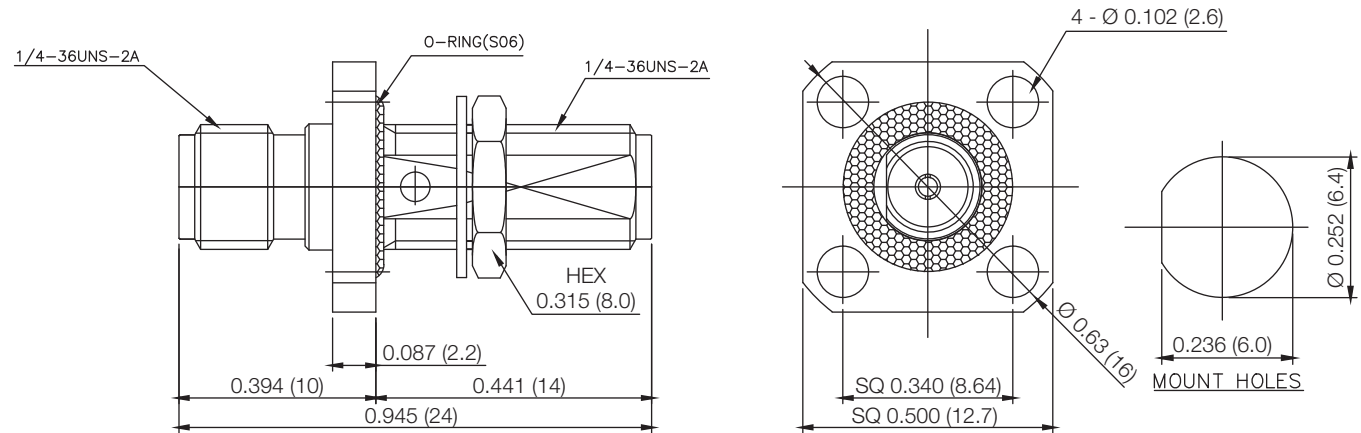
**Electrical Data**

Impedance	50 $\Omega$
Frequency Range	DC - 18 GHz.
Contact Resistance	$\leq 3$ m $\Omega$
Working Voltage	335 VRMS
Insulation Resistance	5000 M $\Omega$
Dielectric Withstanding Voltage	1000 VRMS
VSWR	1.25:1

**Mechanical Data**

Durability	500 Cycles
Temperature Range:	-45 °C - 85 °C
O-Ring	IP67 Grade

RoHS Compliant



Drawing not to scale. Dimensions for reference only

Units: inches (mm)

**Konnect RF**

WWW.KONNECTRF.COM  
1-800-790-5887

PART NUMBER

**KAD177118**

DESCRIPTION

**Adapter, In-Series, SMA Female Jack to Female Jack Bulkhead, 4 Hole Flange Mount, O-Ring Seal**

CAGE CODE

**664U0**

SIGNATURE

X

**Component**  
Body  
Center Contact  
Insulator  
O-Ring

**Material**  
Brass  
BeCu  
PTFE  
Silicone Rubber

**Plating**  
Gold  
Gold

THIS DRAWING INCLUDING THE DESIGNS IS THE PROPERTY OF KONNECT RF AND IS NOT TO BE USED FOR ANY PURPOSE WITHOUT OUR APPROVAL.