

PART NUMBER

KAD177114

REV.

DATE

COMMENTS

INITIAL

RoHS Compliant

Electrical Data

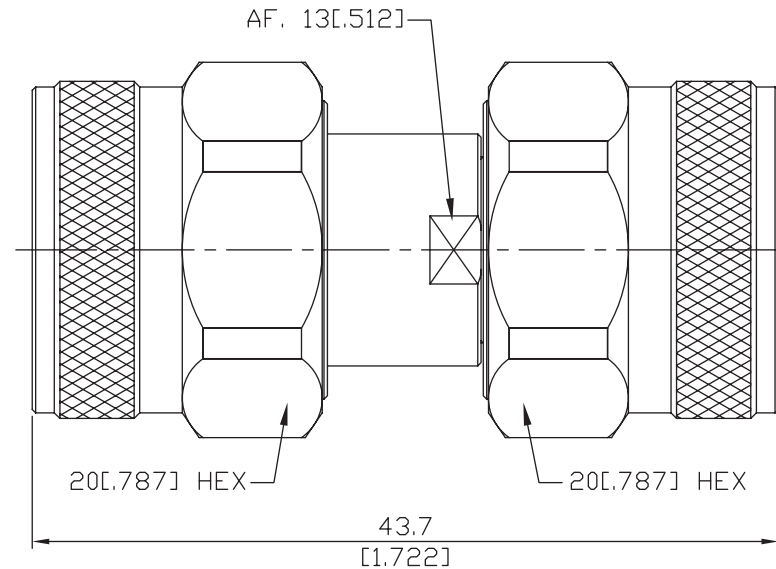
Impedance	50 Ω
Frequency Range	DC - 18 GHz
Insertion Loss	$\leq 0.05 \times \sqrt{f(\text{GHz})}$ dB
Working Voltage	1000 VRMS
Insulation Resistance	≥ 5000 M Ω
Dielectric Withstanding Voltage	2500 VRMS
VSWR	≤ 1.2 (DC - 18 GHz)

Mechanical Data

Durability	≥ 500 Matings
Recommended Coupling Nut Torque	6 to 10 in-lbs
Coupling Proof Torque	15 in-lbs
Coupling Nut Retention Force	≥ 101.2 lbs
Contact Captivation-axial	≥ 6.3 lbs
Temperature Range	-55 $^{\circ}\text{C}$ - 105 $^{\circ}\text{C}$

Standards

Thermal Shock	MIL-STD-202, Method 107, Condition B
Moisture Resistance	MIL-STD-202, Method 206
Corrosion	MIL-STD-202, Method 101, Condition B



Drawing not to scale. Dimensions for reference only

Units: mm (inches)

Konnect RF

WWW.KONNECTRF.COM
1-800-790-5887

PART NUMBER

KAD177114

DESCRIPTION

Adapter, In-Series, N Male Plug to N Male Plug

CAGE CODE

664U0

SIGNATURE

X

THIS DRAWING INCLUDING THE
DESIGNS IS THE PROPERTY OF
KONNECT RF AND IS NOT TO
BE USED FOR ANY PURPOSE
WITHOUT OUR APPROVAL.

Component

Body
Center Contact

Material

Stainless Steel
BeCu

Plating/Finish (Micro-Inch)

Passivated
Gold 4 Over Nickel-Phosphorous
Alloy 80 Over Copper 20

Insulator
Gasket
Retainer Ring

PPO
Silicone
BeCu

Tin-Zinc-Copper-Alloy
100 Over Copper 50

Coupling Nut

Stainless Steel

Passivated