

PART NUMBER

KAD177103

REV.

DATE

COMMENTS

INITIAL

Electrical Data

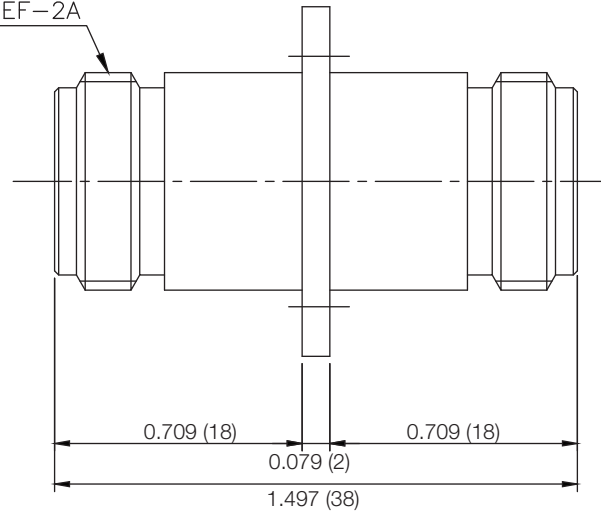
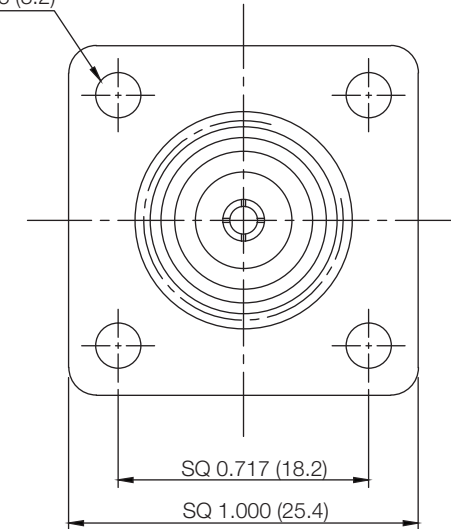
Impedance 50 Ω
 Frequency Range DC - 11 GHz.
 Working Voltage 1000 VRMS
 Proof Voltage 2500 Volts
 VSWR 1.20:1

Mechanical Data

Temperature Range: -45 °C - 125 °C

RoHS Compliant

5/8-24UNEF-2A

4 - \varnothing 0.126 (3.2)

Drawing not to scale. Dimensions for reference only

Units: inches (mm)

Konnnect RF

WWW.KONNECTRF.COM
1-800-790-5887

PART NUMBER

KAD177103

DESCRIPTION

Adapter, In-Series, N Female Jack to Female Jack, 4 Hole Flange Mount

CAGE CODE

664U0

SIGNATURE

X

Component
Body
Center Contact
Insulator

Material
Brass
BeCu
PTFE

Plating
White Bronze
Gold

THIS DRAWING INCLUDING THE DESIGNS IS THE PROPERTY OF KONNECT RF AND IS NOT TO BE USED FOR ANY PURPOSE WITHOUT OUR APPROVAL.