

PART NUMBER

KAD177092

REV.

DATE

COMMENTS

INITIAL

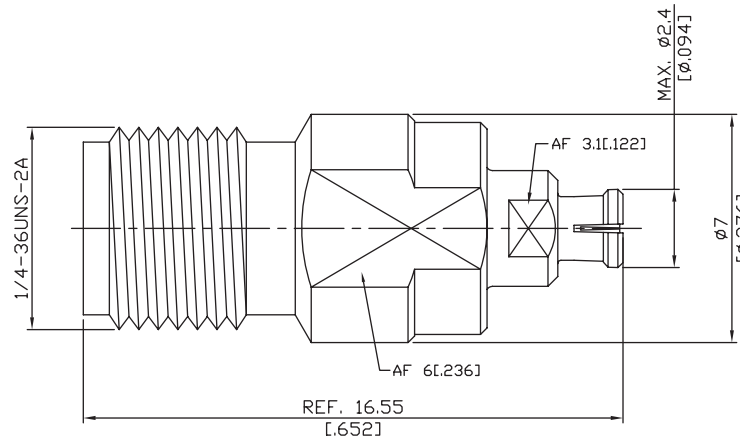
A

08/03/17

Updated Connector Design & Spec

*MP***Electrical Data**

Impedance 50 Ω
 Frequency Range DC - 18 GHz.
 VSWR 1.20

RoHS Compliant

Drawing not to scale. Dimensions for reference only

Units: mm (inches)

Konnect RF

WWW.KONNECTRF.COM
 1-800-790-5887

PART NUMBER

KAD177092

DESCRIPTION

Adapter, Between Series, SMA Female Jack to SMPM Female Jack

CAGE CODE

664U0

SIGNATURE

*X***Component**

Body (SMA)
 Body (Mini SMP)
 Center Contact
 Insulator

Material

Stainless Steel
 BeCu
 BeCu
 PTFE

Plating/Finish (Micro-Inches)

Passivated
 Gold 4 Over Nickel-Phosphorus Alloy 80 Over Copper 20
 Gold 4 Over Nickel-Phosphorus Alloy 80 Over Copper 20

THIS DRAWING INCLUDING THE
 DESIGNS IS THE PROPERTY OF
 KONNECT RF AND IS NOT TO
 BE USED FOR ANY PURPOSE
 WITHOUT OUR APPROVAL.