

PART NUMBER

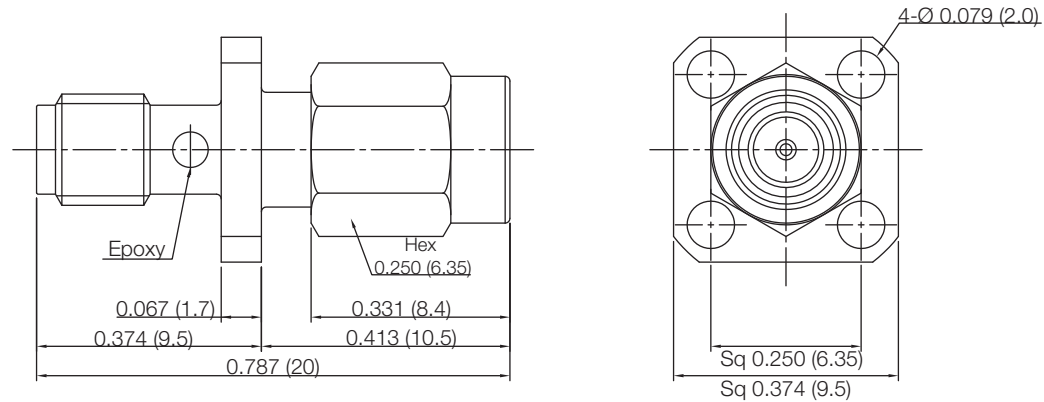
KAD177091

REV.

DATE

COMMENTS

INITIAL

Electrical DataImpedance 50 Ω **RoHS Compliant**

Drawing not to scale. Dimensions for reference only

Units: inches (mm)

Konnect RFWWW.KONNECTRF.COM
1-800-790-5887

PART NUMBER

KAD177091

DESCRIPTION

**Adapter, In-Series, SSMA Straight Male Plug
to Female Jack, 4 Hole Flange Mount**

CAGE CODE

664U0

SIGNATURE

X

THIS DRAWING INCLUDING THE
DESIGNS IS THE PROPERTY OF
KONNECT RF AND IS NOT TO
BE USED FOR ANY PURPOSE
WITHOUT OUR APPROVAL.**Component**Body & Coupling Nut
Center Contact
Insulator**Material**Brass
BeCu
PTFE**Plating**Gold
Gold