

PART NUMBER

**KAD177072**

REV.

DATE

COMMENTS

INITIAL

**Electrical Data**

Impedance	50 $\Omega$
Frequency Range	DC - 18 GHz
Contact Current	DC 2.0A max
CW Power	50 Watts
Working Voltage	335VRMS
Insertion Loss	0.05 $\sqrt{f}$ (GHz)dB
Contact Resistance	
Center	3.0 m $\Omega$
Outer	2.5 m $\Omega$
Insulation Resistance	5,000 M $\Omega$ min
VSWR	1.20 (-21dB) @ 18GHz Max
RF Leakage	-60dBm min

**Mechanical Data**

Coupling Nut Torque	12Ncm-140Ncm
Coupling Nut Retention Force	$\geq$ 200N
Life	500 matings
Contact Captivation	$\geq$ 27N

**Environmental Data**

Temperature Range	-65 $^{\circ}$ C - 125 $^{\circ}$ C
Corrosion Resistance	MIL-STD-202, Method 101, Condition B.
Moisture Resistance	MIL-STD-202, Method 106
Thermal Shock	MIL-STD-202, Method 107, Condition B
Vibration	MIL-STD-202, Method 204, Condition D
Shock	MIL-STD-202, Method 213, Condition I

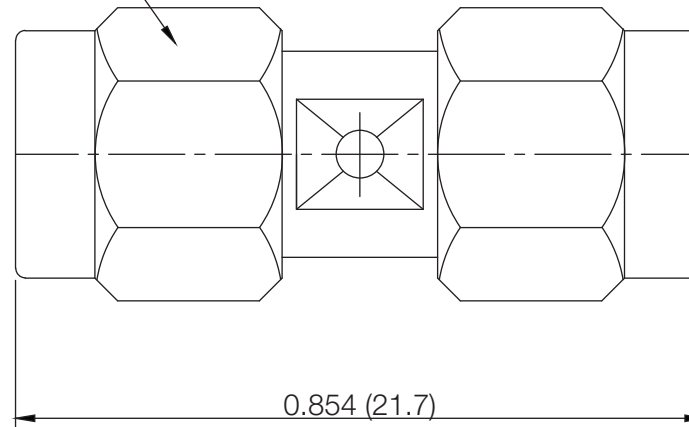
**VSWR and Frequency Range Specifications  
are for reference and are dependant on cable  
type and other application specific conditions**

**Drawing not to scale. Dimensions for reference only**

**Units: inches (mm)**

**RoHS Compliant**

0.315 (8) Hex



WWW.KONNECTRF.COM  
1-800-790-5887

PART NUMBER

**KAD177072**

DESCRIPTION

**Adapter, In Series, SMA Male Plug to Male Plug**

CAGE CODE

**664U0**

SIGNATURE

X

THIS DRAWING INCLUDING THE  
DESIGNS IS THE PROPERTY OF  
KONNECT RF AND IS NOT TO  
BE USED FOR ANY PURPOSE  
WITHOUT OUR APPROVAL.

**Component**

Body  
Center Contact  
Insulator

**Material**

Stainless Steel  
Brass  
PTFE

**Plating/Finish**

Passivated  
Gold