

PART NUMBER

**KAD177069**

REV.

DATE

COMMENTS

INITIAL

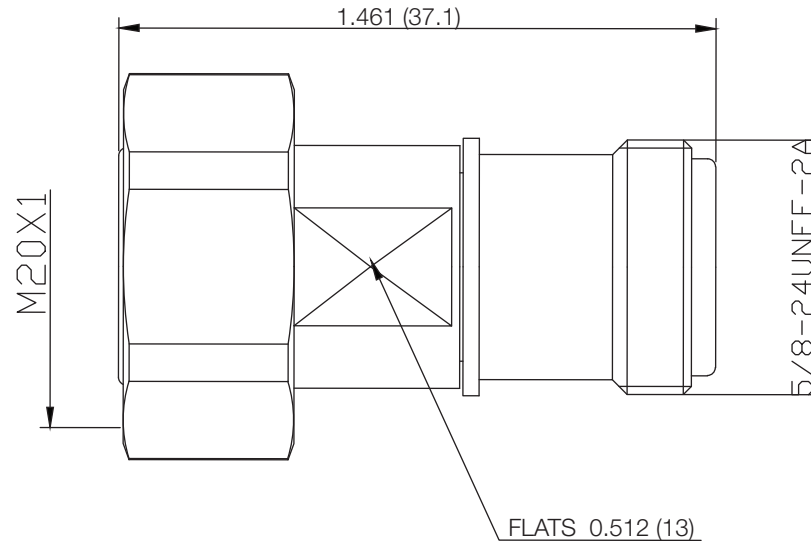
**Electrical Data**

Impedance 50  $\Omega$   
 Frequency Range DC - 6 GHz.  
 VSWR 1.25 max

**Mechanical Data**

Durability 500 Cycles Min.  
 Temperature Range: -40 °C - 125 °C

RoHS Compliant



Drawing not to scale. Dimensions for reference only

Units: inches (mm)

**Konnect RF**

WWW.KONNECTRF.COM  
 1-800-790-5887

PART NUMBER

**KAD177069**

DESCRIPTION

**Adapter, Between Series, 4.3-10 Male Plug N Female Jack**

CAGE CODE

**664U0**

SIGNATURE

X

THIS DRAWING INCLUDING THE  
 DESIGNS IS THE PROPERTY OF  
 KONNECT RF AND IS NOT TO  
 BE USED FOR ANY PURPOSE  
 WITHOUT OUR APPROVAL.

**Component**

Body  
 Center Contact  
 Insulator  
 Other Metal Parts

**Material**

Brass  
 Brass  
 PTFE  
 Brass

**Plating**

White Bronze  
 Silver  
 Nickel