

PART NUMBER

KAD177066

REV.

DATE

COMMENTS

INITIAL

Electrical Data

Impedance	50 Ω
Frequency Range	DC - 34.5 GHz.
Insertion Loss	$\leq 0.05 \times \sqrt{f(\text{GHz})}$ dB
Working Voltage	335 VRMS
RF Leakage	≥ 100 dB to 1 GHz
Insulation Resistance	≥ 5000 M Ω
Dielectric Withstanding Voltage	1000 VRMS
VSWR	≤ 1.25 (DC to 34.5 GHz)

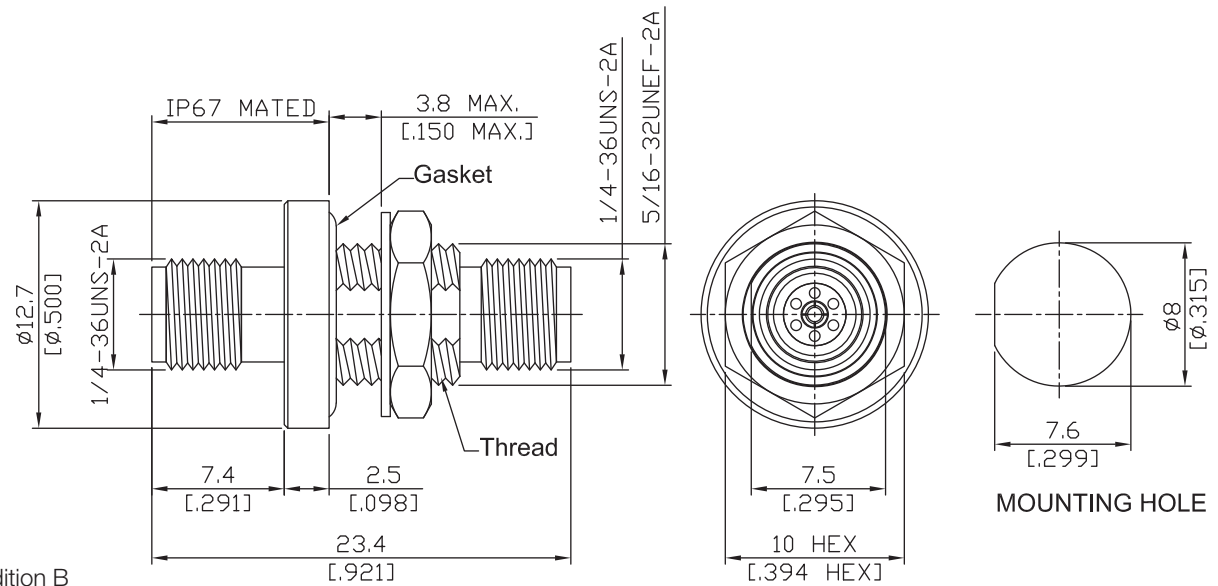
Mechanical Data

Durability	≥ 500 matings
Temperature Range:	-55 $^{\circ}\text{C}$ - 105 $^{\circ}\text{C}$
Recommended Coupling Nut Torque	7.1 to 9.7 in-lbs
Coupling Proof Torque	15 in-lbs
Contact Captivaion-Axial	≥ 6.1 lbs

Standards

Thermal Shock	MIL-STD-202, Method 107, Condition B
Moisture Resistance	MIL-STD-202, Method 206
Corrosion	MIL-STD-202, Method 101, Conditon B

RoHS Compliant



Drawing not to scale. Dimensions for reference only

Units: mm (inches)

Konnect RF

WWW.KONNECTRF.COM
1-800-790-5887

PART NUMBER

KAD177066

DESCRIPTION

Adapter, 3.5mm Female Jack to 3.5mm Female Jack, Front Mount Bulkhead, IP67

CAGE CODE

664U0

SIGNATURE

X

ComponentBody, Hex Nut, Washer
Center Contact**Material**Stainless Steel
BeCu**Plating**Passivated
Gold 4 Over Nickel-Phosphorus
Alloy 80 Over Copper 20Insulator
GasketPPO
Silicone

THIS DRAWING INCLUDING THE
DESIGNS IS THE PROPERTY OF
KONNECT RF AND IS NOT TO
BE USED FOR ANY PURPOSE
WITHOUT OUR APPROVAL.