

PART NUMBER

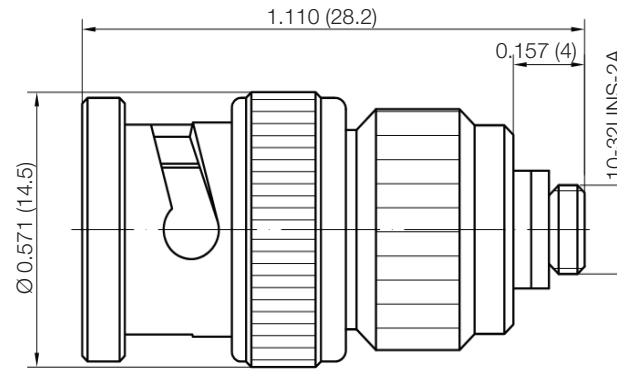
KAD177021

REV.

DATE

COMMENTS

INITIAL

Electrical DataImpedance 50 Ω **RoHS Compliant**

Drawing not to scale. Dimensions for reference only

Units: inches (mm)

Konnect RFWWW.KONNECTRF.COM
1-800-790-5887

PART NUMBER

KAD177021

DESCRIPTION

Adapter, Between Series, BNC Male Plug to 10-32 Female Jack

CAGE CODE

664U0

SIGNATURE

X

THIS DRAWING INCLUDING THE DESIGNS IS THE PROPERTY OF KONNECT RF AND IS NOT TO BE USED FOR ANY PURPOSE WITHOUT OUR APPROVAL.

Component

Body & Coupling Sleeve
Center Contact
Insulator

Material

Brass
BeCu
PTFE

Plating

Nickel
Gold