

PART NUMBER

KAD177020

REV.

DATE

COMMENTS

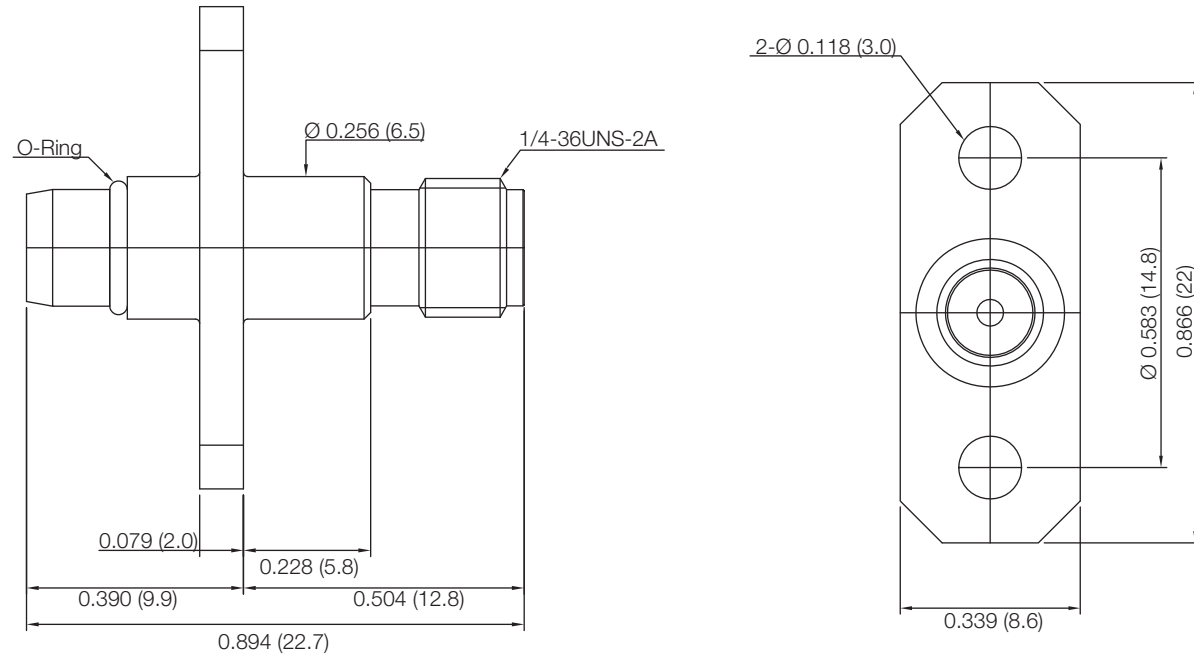
INITIAL

Electrical Data

Impedance 50 Ω
 Frequency Range DC - 12.4 GHz.
 Voltage Rating 500 VRMS
 Contact Retention 6 LBS Axial
 Dielectric Withstanding Voltage 1,500 VRMS

Mechanical Data

Durability 500 Cycles Min.
 Temperature Range: -50 °C - 125 °C

RoHS Compliant

Drawing not to scale. Dimensions for reference only

Units: inches (mm)

Konnect RF

WWW.KONNECTRF.COM
 1-800-790-5887

PART NUMBER

KAD177020

DESCRIPTION

**Adapter, Between Series, SMA Female Jack to BMA
 Male Jack w/ O-Ring Seal, 2 Hole Flange Mount**

CAGE CODE

664U0

SIGNATURE

X

THIS DRAWING INCLUDING THE
 DESIGNS IS THE PROPERTY OF
 KONNECT RF AND IS NOT TO
 BE USED FOR ANY PURPOSE
 WITHOUT OUR APPROVAL.

Component

Body
 Center Contact
 O-Ring
 Insulator

Material

Stainless Steel
 BeCu
 Silicone Rubber
 PTFE

Plating/Finish

Passivated
 Gold