

PART NUMBER

**KAD177017**

REV.

DATE

COMMENTS

INITIAL

**Electrical Data**

Impedance	50 $\Omega$
Frequency Range	DC - 18 GHz.
Working Voltage	1000 VRMS
Insulation Resistance	5000 M $\Omega$
VSWR	$\leq 1.20$ @ DC - 18 GHz

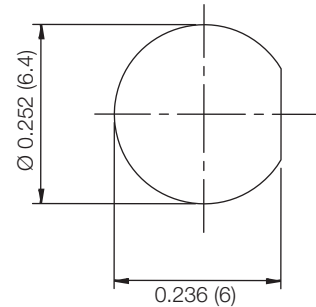
**Mechanical Data**

Temperature Range: -55 °C - 155 °C

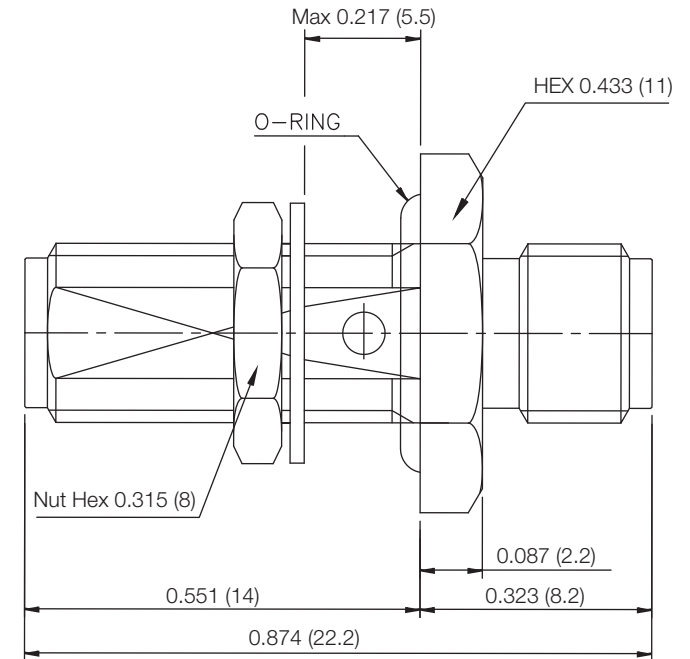
**Standards**

RF Leakage  
IP67 Grade

-(60-F(GHz))dBm max.



MOUNT HOLES



RoHS Compliant

Drawing not to scale. Dimensions for reference only

Units: inches (mm)

**Konnect RF**

WWW.KONNECTRF.COM  
1-800-790-5887

PART NUMBER

**KAD177017**

DESCRIPTION

**Adapter, In-Series, SMA Female Jack to Female Jack, Bulkhead, Gold/Brass, O-Ring Seal**

CAGE CODE

**664U0**

SIGNATURE

X

**Component**  
Body, Nut  
Center Contact  
Insulator

**Material**  
Brass  
BeCu  
PTFE

**Plating**  
Gold  
Gold

THIS DRAWING INCLUDING THE  
DESIGNS IS THE PROPERTY OF  
KONNECT RF AND IS NOT TO  
BE USED FOR ANY PURPOSE  
WITHOUT OUR APPROVAL.