

PART NUMBER

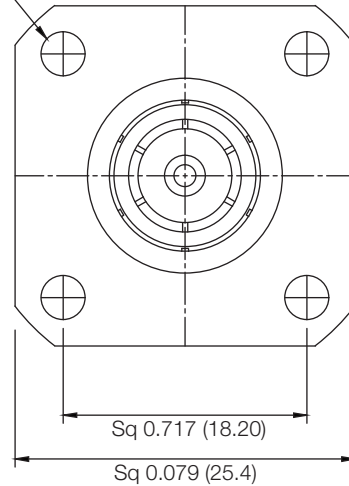
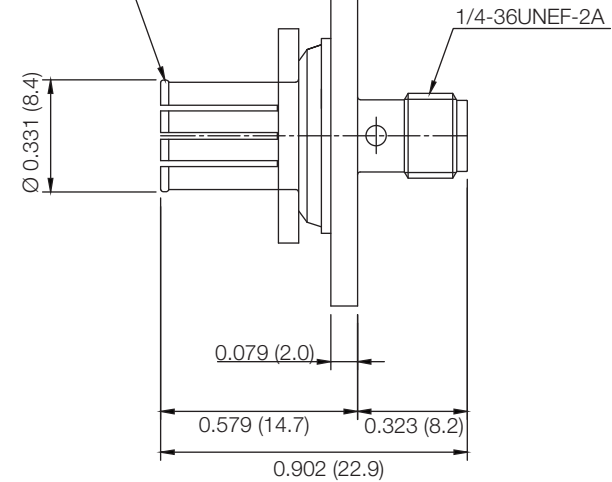
KAD177016

REV.

DATE

COMMENTS

INITIAL

Electrical DataImpedance 50 Ω **RoHS Compliant**4- \varnothing 0.126 (3.2)N Male Outer Contact
without Coupling Nut

Drawing not to scale. Dimensions for reference only

Units: inches (mm)

Konnnect RFWWW.KONNECTRF.COM
1-800-790-5887

PART NUMBER

KAD177016

DESCRIPTION

**Adapter, Between Series, N Male Plug Push On to
SMA Female Jack, 4 Hole Flange Mount**

CAGE CODE

664U0

SIGNATURE

X

THIS DRAWING INCLUDING THE
DESIGNS IS THE PROPERTY OF
KONNECT RF AND IS NOT TO
BE USED FOR ANY PURPOSE
WITHOUT OUR APPROVAL.**Component**Body
Center Contact
Outer Contact
Gasket
Insulator**Material**Brass
BeCu
BeCu
Silicone Rubber
PTFE**Plating**Nickel
Silver
Nickel