

PART NUMBER

KAD177012

REV.

C

DATE

07-20-22

COMMENTS

Added Electrical Specs.

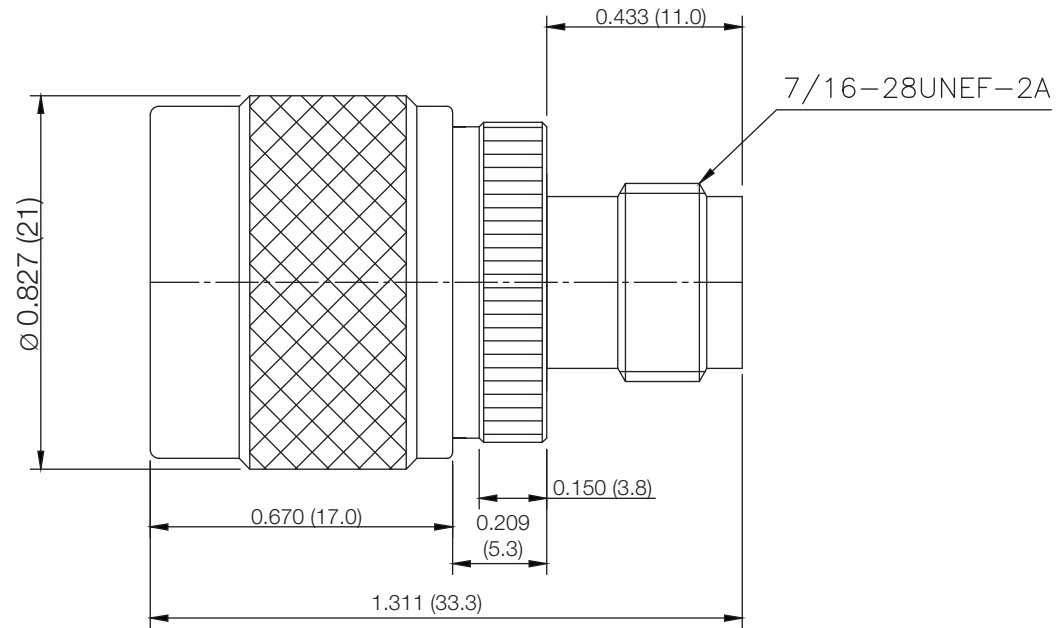
INITIAL

Jf

Electrical Data

Impedance	50 Ω
Frequency Range	DC- 11 GHz
Contact Current	DC- 3.5A Max
Voltage Rating	1000 VRMS
Contact Resistance:	
Center Contact	2.0m Ω
Outer Contact	0.2m Ω
Insulation Resistance	5000m Ω min
V.S.W.R	1.2:1 Max @ 6 GHz
RF Leakage	-90 dB Min from 2- 3 GHz
Insertion Loss	0.15 dB max @ 9 GHz

RoHS Compliant



Drawing not to scale. Dimensions for reference only

Units: inches (mm)

Konnect RF

WWW.KONNECTRF.COM

1-800-790-5887

PART NUMBER

KAD177012

DESCRIPTION

Adapter, Between Series, N Male Plug to TNC Female Jack

CAGE CODE

664U0

SIGNATURE

X *Jf*

THIS DRAWING INCLUDING THE DESIGNS IS THE PROPERTY OF KONNECT RF AND IS NOT TO BE USED FOR ANY PURPOSE WITHOUT OUR APPROVAL.

Component
Body
Center Contact
Insulator

Material
Brass
BeCu
PTFE

Plating
Nickel
Silver