

PART NUMBER

KAD177007

REV.

INITIAL

Electrical Data

Impedance	50 Ω		
Interface Frequency	12.4 GHz Max.		
Frequency Range	DC - 2.5 GHz	2.5 - 6 GHz	6 - 12.4 GHz
Return Loss	≥ 32 dB	≥ 30 dB	≥ 16 dB

RoHS Compliant**Mechanical Data**

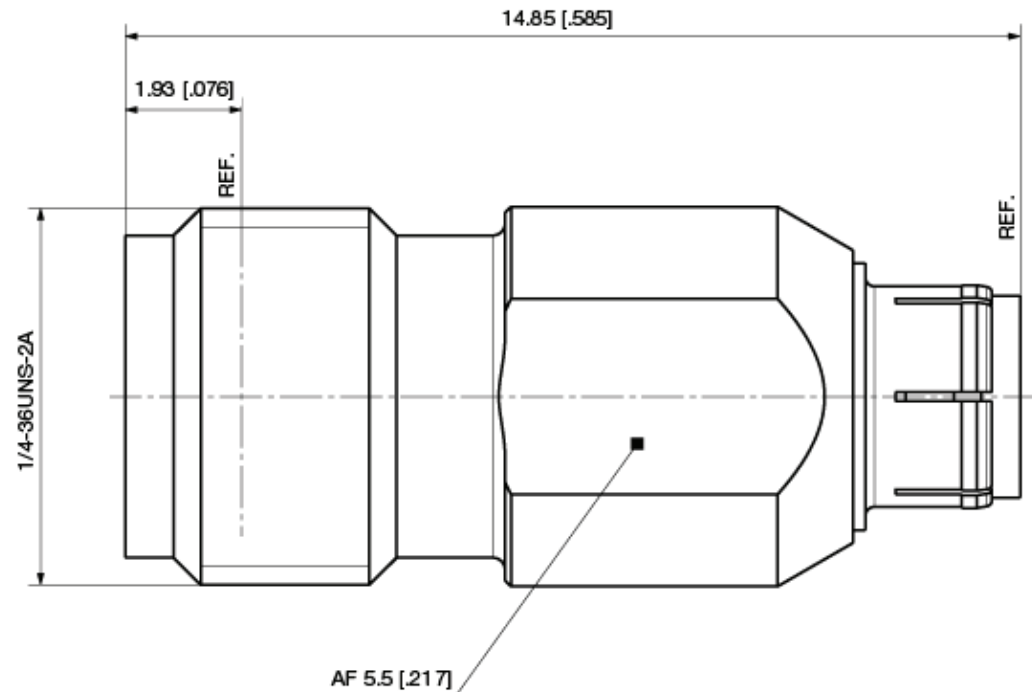
Number of Mating 500

Environmental Data

Operating Temperature -55°C to 155°C
2002/95/EC (RoHS) Compliant

VSWR and Frequency Range Specifications
are for reference and are dependant on cable
type and other application specific conditions

Drawing not to scale. Dimensions for reference only



WWW.KONNECTRF.COM
540 NW University Blvd. Ste. 109
Port Saint Lucie, Florida, 34986
1-800-790-5887

PART NUMBER

KAD177007

DESCRIPTION

**Adapter - Between Series
SMA Female Jack to MMBX Male Plug**

CAGE CODE

664U0

SIGNATURE

X

THIS DRAWING INCLUDING THE
DESIGNS IS THE PROPERTY OF
KONNECT RF AND IS NOT TO
BE USED FOR ANY PURPOSE
WITHOUT OUR APPROVAL.

Materials

Center Contact	Cu.Be Alloy	Hard Au min. 1.3um over Ni min. 1.3um
Outer Contact	Cu.Be Alloy	Hard Au min. 0.1um over NiP min. 2um
Body	Cu.Be Alloy	Hard Au min. 0.1um over NiP min. 2um
Insulator	PFA/PTFE	
Center Contact	Cu.Be Alloy	Gold Plating (Nickel underplated)
Outer Contact	Cu.Be Alloy	White Bronze Plating
Body	Cu.Be Alloy	White Bronze Plating
Insulator	PFA/PTFE	