

PART NUMBER

KAD177006

REV.

DATE

COMMENTS

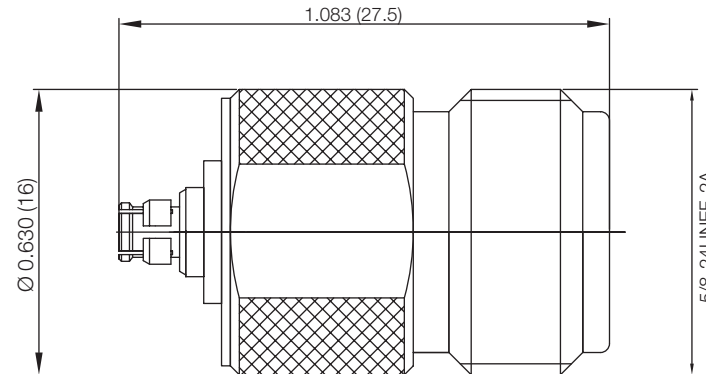
INITIAL

Electrical Data

Impedance 50 Ω
 Frequency Range DC - 10 GHz.
 Working Voltage 335 VRMS
 Contact Resistance
 Center $\leq 3.0 \text{ m}\Omega$
 Outer $\leq 2.0 \text{ m}\Omega$
 Insulation Withstanding Voltage 1,000 V @ Sea Level
 Insulation Resistance $\geq 5,000 \text{ M}\Omega$

RoHS Compliant**Mechanical Data**

Temperature Range: -55 °C - 125 °C



Drawing not to scale. Dimensions for reference only

Units: inches (mm)

Konnect RF

WWW.KONNECTRF.COM
 1-800-790-5887

PART NUMBER

KAD177006

DESCRIPTION

Adapter, Between Series, N Female Jack to SMP Female Jack

CAGE CODE

664U0

SIGNATURE

X

THIS DRAWING INCLUDING THE
 DESIGNS IS THE PROPERTY OF
 KONNECT RF AND IS NOT TO
 BE USED FOR ANY PURPOSE
 WITHOUT OUR APPROVAL.

Component

Body
 Center Contact
 Insulator

Material

Brass
 BeCu
 PTFE

Plating

Nickel
 Gold