

PART NUMBER

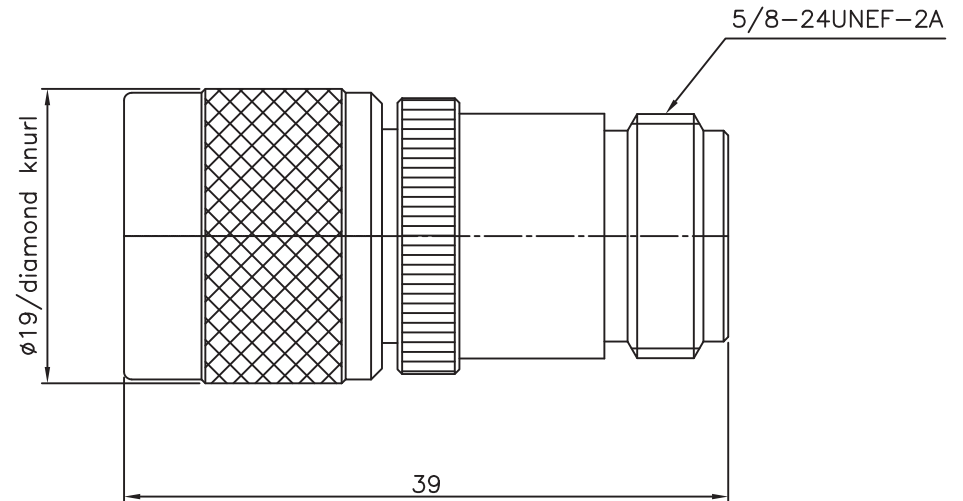
KAD177003

REV.

INITIAL

Electrical Data

Impedance	50 Ω
Frequency Range	DC - 11 GHz
VSWR	1.35 + 0,0000 x F (GHz) Max.
Insertion Loss	0.067 \sqrt{F} (GHz) dB Max.
DWV	1500 V Min.
Insulation Resistance	5000 M Ω Min
Temperature Range	-55°C + 155°C

RoHS Compliant

VSWR and Frequency Range Specifications
are for reference and are dependant on cable
type and other application specific conditions

Drawing not to scale. Dimensions for reference only

Units: mm

WWW.KONNECTRF.COM
1-800-790-5887

PART NUMBER

KAD177003

DESCRIPTION

**Adapter, Between Series,
N Female Jack to C Male Plug**

CAGE CODE

664U0

SIGNATURE

X

THIS DRAWING INCLUDING THE
DESIGNS IS THE PROPERTY OF
KONNECT RF AND IS NOT TO
BE USED FOR ANY PURPOSE
WITHOUT OUR APPROVAL.

Component

Body
Center Contact
Outer Contact
Gasket
Insulator

Material

Brass
Be.Cu
Brass
Elastomere Silicone
PTFE

Plating

Nickel
Gold
Nickel