

PART NUMBER

KAD177761

REV.

DATE

COMMENTS

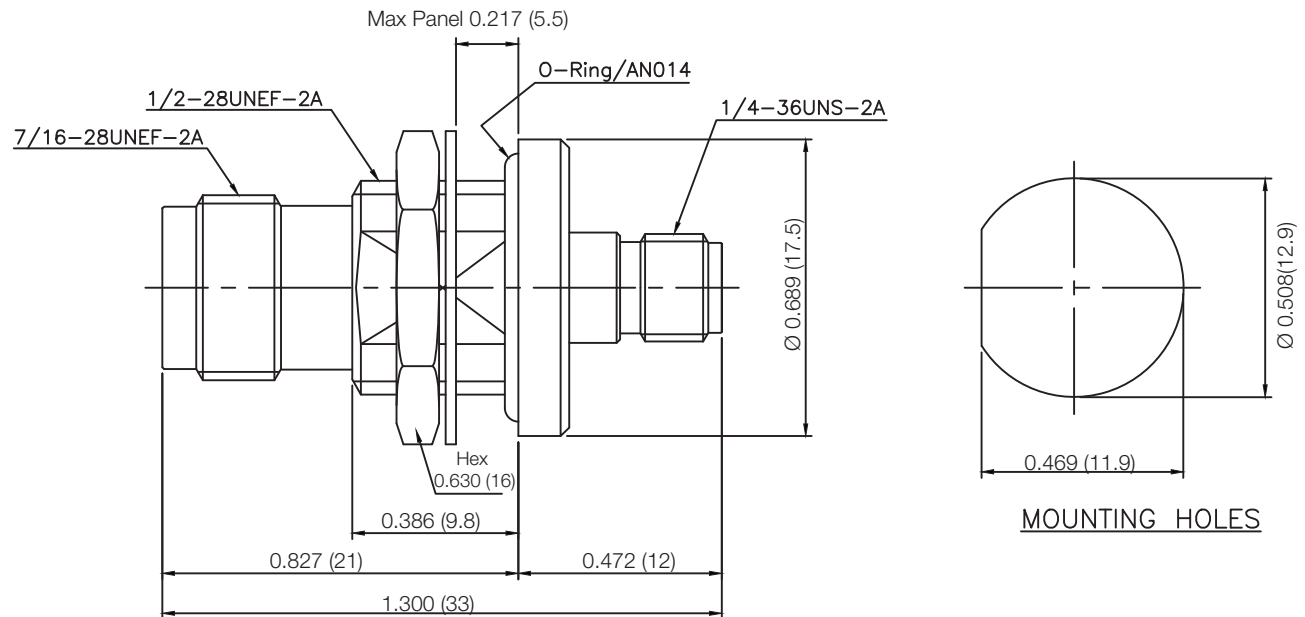
INITIAL

Electrical Data

Impedance 50 Ω
 Frequency Range DC - 11 GHz.
 Working Voltage 500 VRMS
 Insulation Resistance 5,000 M Ω min
 VSWR 1.25 @ 6GHz

Mechanical Data

Temperature Range: -65 °C - 155 °C
 Waterproof Rating IP67

RoHS Compliant

Drawing not to scale. Dimensions for reference only

Units: inches (mm)

Konnect RF

WWW.KONNECTRF.COM
 1-800-790-5887

PART NUMBER

KAD177761

DESCRIPTION

Adapter, Between Series, TNC Female Jack Bulkhead to SMA Female Jack

CAGE CODE

664U0

SIGNATURE

X

THIS DRAWING INCLUDING THE
 DESIGNS IS THE PROPERTY OF
 KONNECT RF AND IS NOT TO
 BE USED FOR ANY PURPOSE
 WITHOUT OUR APPROVAL.

Component

Body, Nut & Washer
 Center Contact
 Insulator
 O-Ring

Material

Stainless Steel
 BeCu
 PTFE
 Silicone Rubber

Plating/Finish

Passivated
 Gold