

PART NUMBER

ADT-XSMAf-SMAf

REV.

DATE

COMMENTS

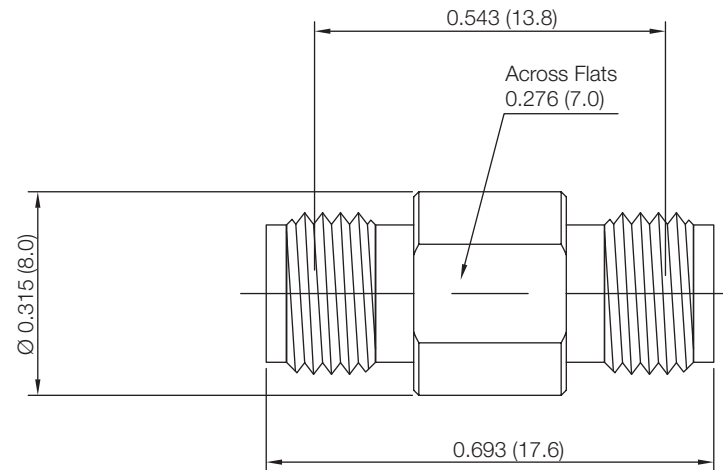
INITIAL

RoHS Compliant**Electrical Data**

Impedance 50 Ω
 Frequency Range DC - 27 GHz.
 VSWR 1.15 max @ 27GHz
 Insertion Loss 0.07 f 1/2 dB

Mechanical Data

Temperature Range: -65 °C - 105 °C



Drawing not to scale. Dimensions for reference only

Units: inches (mm)

Konnnect RF

WWW.KONNECTRF.COM
 1-800-790-5887

PART NUMBER

ADT-XSMAf-SMAf

DESCRIPTION

Adapter, In-Series, SMA Female Jack to Female Jack

CAGE CODE

664U0

SIGNATURE

X

THIS DRAWING INCLUDING THE
 DESIGNS IS THE PROPERTY OF
 KONNECT RF AND IS NOT TO
 BE USED FOR ANY PURPOSE
 WITHOUT OUR APPROVAL.

Component

Body
 Center Contact
 Insulator

Material

SUS303 Stainless Steel
 BeCu
 PEI

Plating/Finish

Passivated
 Gold