

PART NUMBER

**KSW177812**

REV.

DATE

COMMENTS

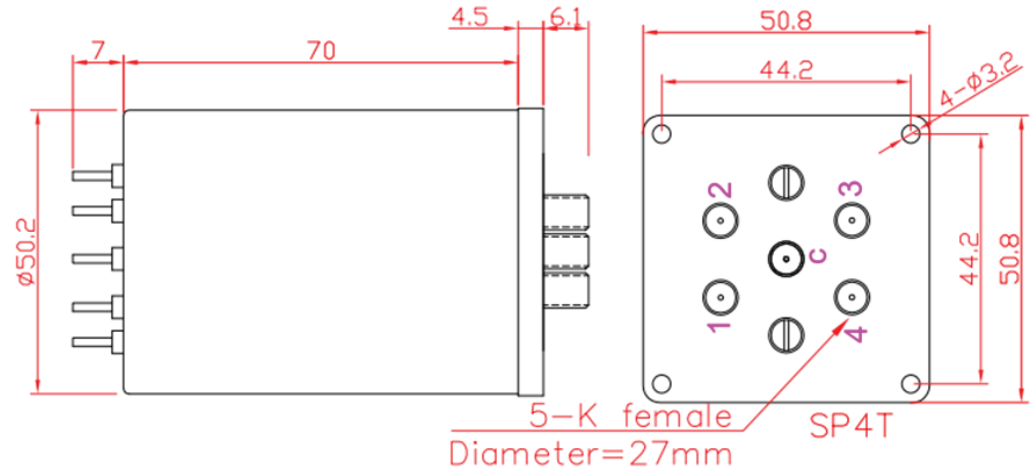
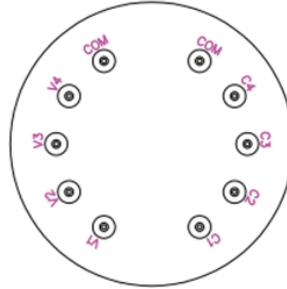
INITIAL

**Electrical Data**

Impedance	50 $\Omega$
Frequency Range	DC - 40GHz.
Operating Voltage:	DC28V/240mA
Switching Time:	<30ms
VSWR	<2.00
Insertion Loss	<1.25
Isolation	>50
Power Handling(CW)	5W

**RoHS Compliant****Mechanical Data**

Temperature Range: -25 °C - 65 °C



Drawing not to scale. Dimensions for reference only

Units: mm

WWW.KONNECTRF.COM  
1-800-790-5887

PART NUMBER

**KSW177812**

DESCRIPTION

**Switch, Latching Type, SP4T**

CAGE CODE

**664U0**

SIGNATURE

X

THIS DRAWING INCLUDING THE  
DESIGNS IS THE PROPERTY OF  
KONNECT RF AND IS NOT TO  
BE USED FOR ANY PURPOSE  
WITHOUT OUR APPROVAL.