

PART NUMBER

**KSW177616**

REV.

DATE

COMMENTS

INITIAL

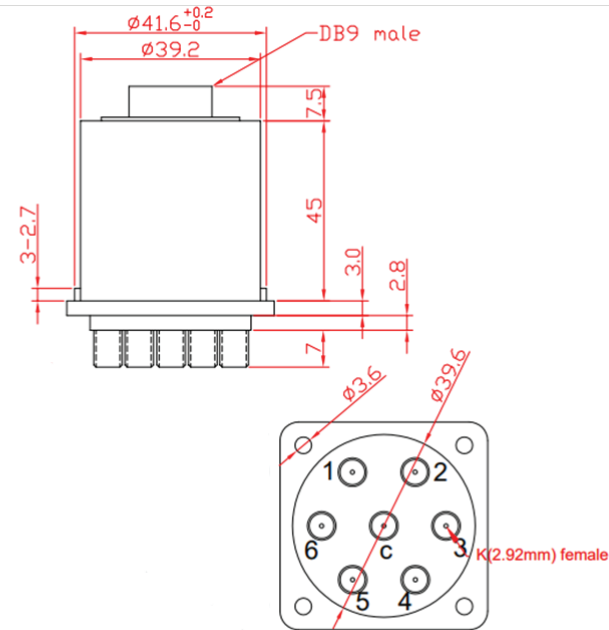
**Electrical Data**

Impedance 50  $\Omega$   
 Operating Voltage: DC12V/270mA  
 (Option DC5V, DC15V, DC24V/160mA, DC28V/150mA)  
 Switching Time: <15ms  
 Switching Sequence: Break Before Make

**Mechanical Data**

Life: >1000000cycles  
 Temperature Range: -30 °C - 65 °C

Frequency Range	DC-6GHZ	6-12.4GHZ	12-18GHZ
VSWR		<1.22	
Insertion Loss	<0.30dB	<0.40dB	<0.50dB
Isolation	>70dB	>65dB	>60dB
Power Handling(CW)	30W	20W	15W

**RoHS Compliant**

Drawing not to scale. Dimensions for reference only

Units: mm

**Konnect RF**

WWW.KONNECTRF.COM  
 1-800-790-5887

PART NUMBER

**KSW177616**

DESCRIPTION

**Switch, SP6T, DC-18 GHz, +12V, 1.22 VSWR @ 18 GHz,  
 2.92mm Female**

CAGE CODE

**664U0**

SIGNATURE

X

THIS DRAWING INCLUDING THE  
 DESIGNS IS THE PROPERTY OF  
 KONNECT RF AND IS NOT TO  
 BE USED FOR ANY PURPOSE  
 WITHOUT OUR APPROVAL.