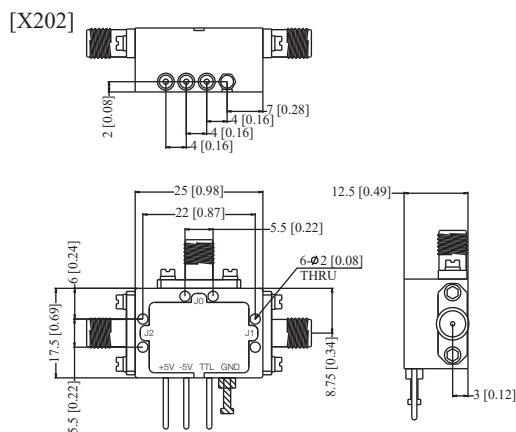


Absorptive 6-12GHz Coaxial SP2T Switch



Truth Table

Control Input TTL	State
0	J0-J1
1	J0-J2
Control Pin Customization available upon request	

All Dimensions in mm (inches)

Parameters	Min	Typ.	Max	Units
Frequency Range		6-12		GHz
Insertion Loss		1.7	2.0	dB
Insertion Loss Temperature Coefficient		0.003		dB/ °C
Isolation	80	85		dB
Input VSWR		1.3	1.5	: 1
Output VSWR		1.3	1.5	: 1
RF Input power (CW)			30	dBm
Power Dissipation (CW)		0.35		W
0.1dB Compression Point (P0.1dB)		30		dBm
IIP3		55		dBm
Switching Speed		50	100	ns
Weight		0.71		ounces
Impedance		50		Ω
Bias Current (+5V/-5V)		80/50		mA
Input / Output Connectors	SMA - Female			
Finish	Gold Plated			
Material	Aluminum			
Sealing	Hermetically Sealed (Optional)			

Absorptive 6-12GHz Coaxial SP2T Switch

Absolute Maximum Ratings

Biasing	+5V± 10%/-5V± 10%
TTL Control Voltage	0~0.8V/2.8~5V

Note: TTL pins cannot be connected to the negative voltage otherwise the internal driver will be damaged.

Ordering Information

Part No.	ECCN	Description
DBSA0206001200A	EAR99	SP2T 6-12GHz PIN Diode Switch

Environmental Specifications

Operational Temperature	-45°C~+85°C
Storage Temperature	-55°C~+125°C
Altitude	30,000 ft. (Epoxy Sealed Controlled environment)
	60,000 ft. 1.0psi min (Hermetically Sealed Uncontrolled environment) (Optional)
Vibration	25g RMS (15 degrees 2KHz) endurance, 1 hour per axis
Humidity	100% RH at 35c, 95%RH at 40°c
Shock	20G for 11msec half sine wave,3 axis both directions