

PART NUMBER
KCC188042

REV.	DATE	COMMENTS	INITIAL

RoHS Compliant

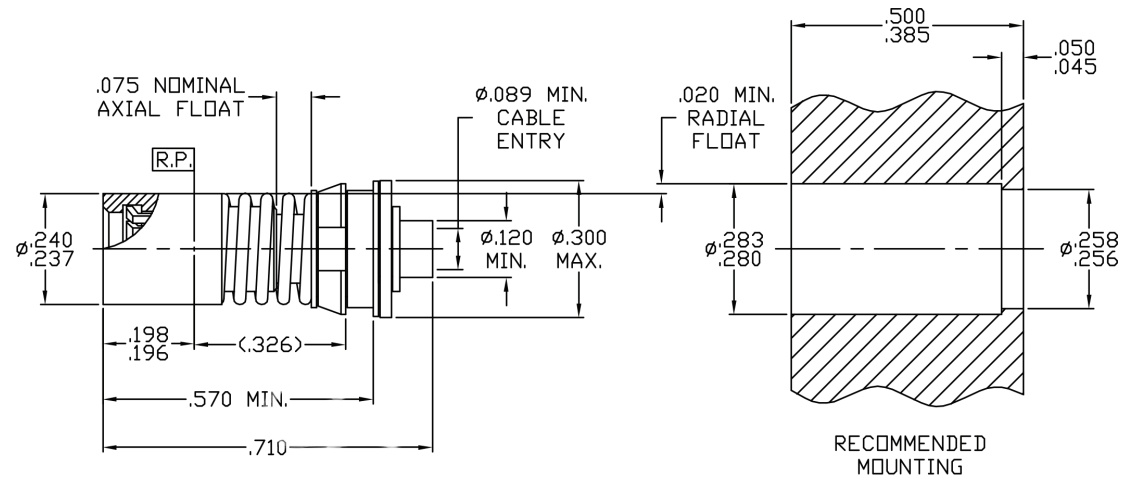
Electrical Data

Impedance 50 Ω
 Frequency Range DC - 28.0 GHz.
 Insertion Loss .04 dB x FGHz
 Voltage Rating 335 VRMS
 RF Leakage -90dB-FGHz
 Contact Resistance
 Center 6.0 mΩ
 Outer 3.0 mΩ
 Insulation Resistance 5,000 MΩ
 Dielectric Withstanding Voltage 675 VRMS
 VSWR 1.05 + .010 x FGHz

Mechanical Data

Temperature Range: -65 °C - 125 °C
 Captivation-Center Contact MAX Axial Force 4.0LBS
 Center Contact Axial Forces
 Insertion INTERFACE 32.0
 Withdrawal INTERFACE 2.0
 Connector Engagement/Disengagement 3.0 ENGAGE 1.5 WITHDRAWAL
 Durability 500
 Axial Float Displacement Force 3.0 LBS @ .015 PRELOAD

Environmental
 Temperature Cycling MIL-STD-202, Method 102, COND. C (-65 °C to 165°C)
 Shock MIL-STD-202, Method 213, COND. I (100G's)
 Vibration MIL-STD-202, Method 204, COND. D (20 G's)
 Moisture Resistance MIL-STD-202, Method 106, LESS STEP 7b
 Corrosion MIL-STD-202, Method 101, COND. B (48 HOURS)
 Barometric Pressure (altitude) MIL-STD-202, Method 105, COND C (70,000 FT) (250 VRMS)



VSWR and Frequency Range Specifications are for reference and are dependant on cable type and other application specific conditions

Drawing not to scale. Dimensions for reference only Units: inches



WWW.KONNECTRF.COM
1-800-790-5887

PART NUMBER KCC188042		DESCRIPTION BMAM (OSSP) Female Jack, Solder, Panel Float Mount	
CAGE CODE 664U0	SIGNATURE X	Cable Types: .085 S/R (RG-405)	
THIS DRAWING INCLUDING THE DESIGNS IS THE PROPERTY OF KONNECT RF AND IS NOT TO BE USED FOR ANY PURPOSE WITHOUT OUR APPROVAL.		Component	Material
		Body	Stainless Steel
		Center Contact	BeCu
		bushing & Compression	Stainless Steel
		Hood & Spring Fingers	BeCu
Retainer	Becu	Plating/Finish	Gold
E-Ring	Carbon Steel	Gold	Passivated
Insulator	PTFE	Nickel	Black