

PART NUMBER

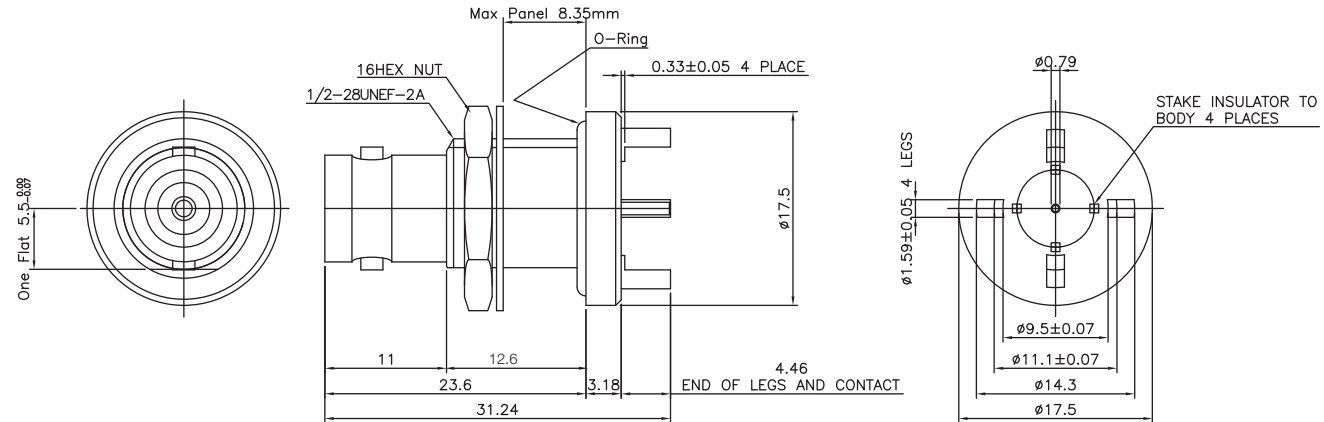
**KCC188032**

REV.

DATE

COMMENTS

INITIAL

**Electrical Data**Impedance 75  $\Omega$ **RoHS Compliant**

Drawing not to scale. Dimensions for reference only

Units: mm

**Konnect RF**WWW.KONNECTRF.COM  
1-800-790-5887

PART NUMBER

**KCC188032**

DESCRIPTION

**75 Ohm BNC Straight Female Jack 4 Leg PC Board Receptacle,  
Extended Body, Bulkhead Rear Mount, O-Ring Seal**

CAGE CODE

**664U0**

SIGNATURE

X

THIS DRAWING INCLUDING THE  
DESIGNS IS THE PROPERTY OF  
KONNECT RF AND IS NOT TO  
BE USED FOR ANY PURPOSE  
WITHOUT OUR APPROVAL.**Component**Body, Nut  
Lockwasher  
O-Ring  
Center Contact  
Insulator**Material**Brass  
Spring Steel  
Silicone Rubber  
BeCu  
PTFE**Plating**Nickel  
Nickel  
Gold