

PART NUMBER

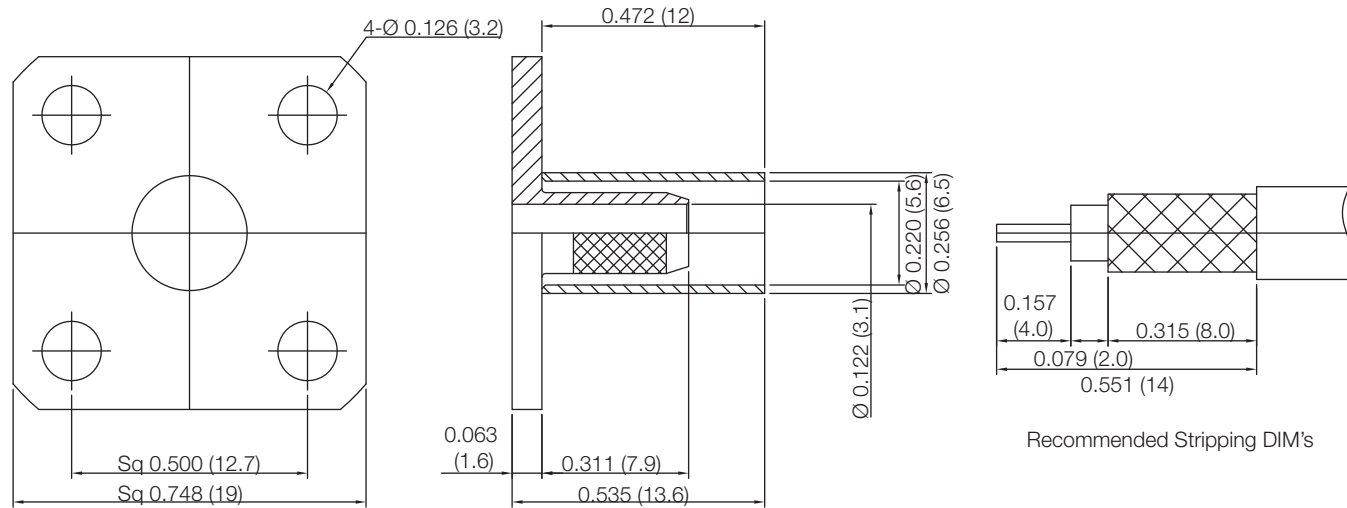
KCC187981

REV.

DATE

COMMENTS

INITIAL

RoHS Compliant

Drawing not to scale. Dimensions for reference only

Units: inches (mm)

Konnect RF

WWW.KONNECTRF.COM
1-800-790-5887

PART NUMBER

KCC187981

DESCRIPTION

Cable Termination, 4 Hole Flange Mount, Crimp

CAGE CODE

664U0

SIGNATURE

X

THIS DRAWING INCLUDING THE
DESIGNS IS THE PROPERTY OF
KONNECT RF AND IS NOT TO
BE USED FOR ANY PURPOSE
WITHOUT OUR APPROVAL.

Cable Types: RG-142, 223, 400**Component**Body
Ferrule**Material**Brass
Brass**Plating**Nickel
Nickel