

PART NUMBER

KCC187964

REV.

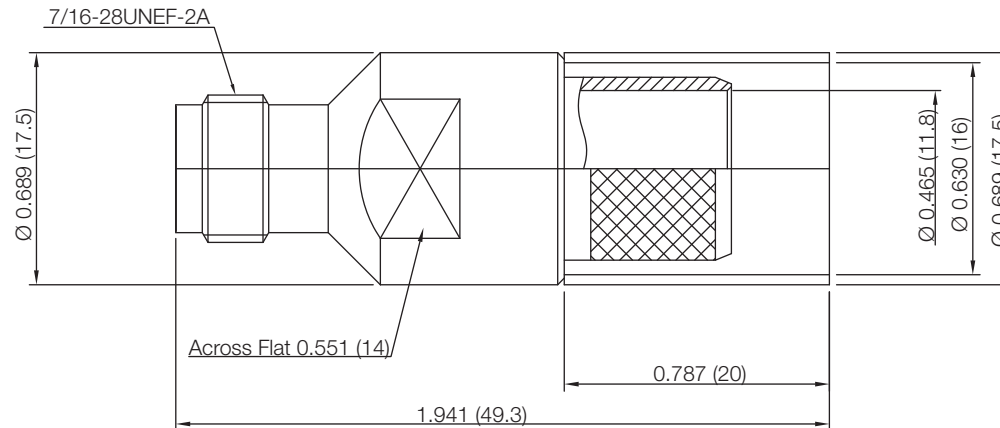
DATE

COMMENTS

INITIAL

Electrical Data

Impedance 50 Ω

RoHS Compliant

Drawing not to scale. Dimensions for reference only

Units: inches (mm)

Konnect RFWWW.KONNECTRF.COM
1-800-790-5887

PART NUMBER

KCC187964

DESCRIPTION

TNC Straight Female Jack, Crimp

CAGE CODE

664U0

SIGNATURE

X

Cable Types: LMR-600**Component**
Body & Ferrule
Center Contact
Insulator**Material**
Brass
BeCu
PTFE**Plating**
Nickel
GoldTHIS DRAWING INCLUDING THE
DESIGNS IS THE PROPERTY OF
KONNECT RF AND IS NOT TO
BE USED FOR ANY PURPOSE
WITHOUT OUR APPROVAL.