

PART NUMBER

**KCC187950**

REV.

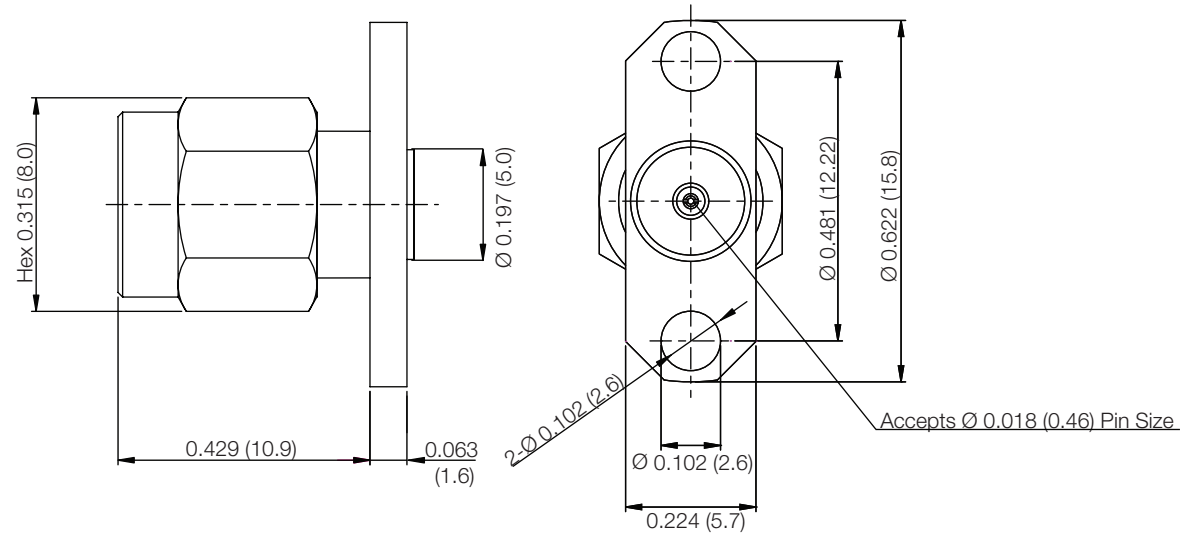
DATE

COMMENTS

INITIAL

**RoHS Compliant****Electrical Data**

Impedance 50  $\Omega$   
 RL  $\leq -20$ dB up to 27 GHz



Drawing not to scale. Dimensions for reference only

Units: inches (mm)

**Konnect RF**

WWW.KONNECTRF.COM  
 1-800-790-5887

PART NUMBER

**KCC187950**

DESCRIPTION

**SMA Straight Male Plug Field Replaceable Receptacle, 2 Hole Flange Mount, EMI Gasket**

CAGE CODE

**664U0**

SIGNATURE

X

THIS DRAWING INCLUDING THE DESIGNS IS THE PROPERTY OF KONNECT RF AND IS NOT TO BE USED FOR ANY PURPOSE WITHOUT OUR APPROVAL.

**Component**

Body & Coupling Nut  
 Renber Ring  
 Center Contact  
 EMI Gasket  
 Gasket  
 Insulator

**Material**

Stainless Steel  
 BeCu  
 BeCu  
 Conductive Silicone Elastomers  
 Silicone Rubber  
 PTFE

**Plating/Finish**

Passivated  
 White Bronze  
 Gold over Nickel over Copper