

PART NUMBER

KCC187857

REV.

DATE

COMMENTS

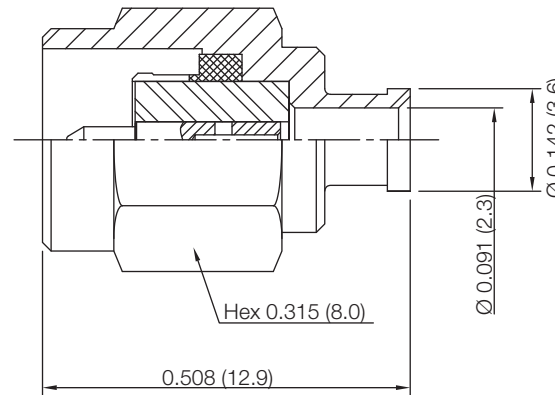
INITIAL

Electrical Data

Impedance 50 Ω
 Frequency Range DC - 18 GHz
 Insertion Loss 0.15 dB max @ 18 GHz
 VSWR 1.20 max 18 GHz

Mechanical Data

Temperature Range: -55 °C - 155 °C

RoHS Compliant

Drawing not to scale. Dimensions for reference only

Units: inches (mm)

Konnect RF

WWW.KONNECTRF.COM
 1-800-790-5887

PART NUMBER

KCC187857

DESCRIPTION

SMA Straight Male Plug Slide-On, Solder

CAGE CODE

664U0

SIGNATURE

X

Cable Type: .085 S/R (RG-405)**Component****Material****Plating**

Body

Brass

Nickel

Center Contact

Brass

Gold

Outer Contact

BeCu

Gold

Insulator

PTFE

THIS DRAWING INCLUDING THE
 DESIGNS IS THE PROPERTY OF
 KONNECT RF AND IS NOT TO
 BE USED FOR ANY PURPOSE
 WITHOUT OUR APPROVAL.