

PART NUMBER

**KCC187855**

REV.

DATE

COMMENTS

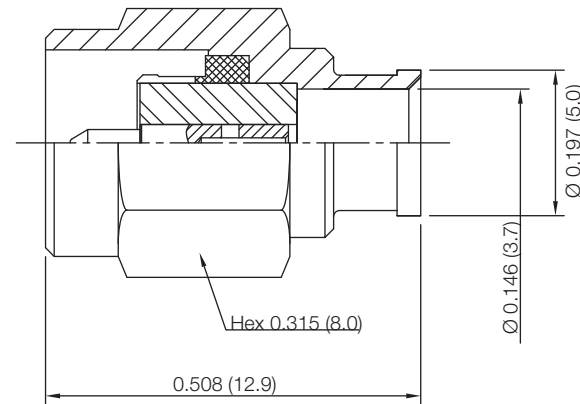
INITIAL

**Electrical Data**

Impedance 50  $\Omega$   
 Frequency Range DC - 18 GHz  
 Insertion Loss 0.15 dB max @ 18 GHz  
 VSWR 1.20 max 18 GHz

**Mechanical Data**

Temperature Range: -55 °C - 155 °C

**RoHS Compliant**

Drawing not to scale. Dimensions for reference only

Units: inches (mm)

**Konnect RF**

WWW.KONNECTRF.COM  
 1-800-790-5887

PART NUMBER

**KCC187855**

DESCRIPTION

**SMA Straight Male Plug Slide-On, Solder**

CAGE CODE

**664U0**

SIGNATURE

X

THIS DRAWING INCLUDING THE  
 DESIGNS IS THE PROPERTY OF  
 KONNECT RF AND IS NOT TO  
 BE USED FOR ANY PURPOSE  
 WITHOUT OUR APPROVAL.

**Cable Type:** .141 S/R (RG-402)**Component**

Body  
 Center Contact  
 Outer Contact  
 Insulator

**Material**

Brass  
 Brass  
 BeCu  
 PTFE

**Plating**

Nickel  
 Gold  
 Gold