

PART NUMBER

KCC187851

REV.

DATE

COMMENTS

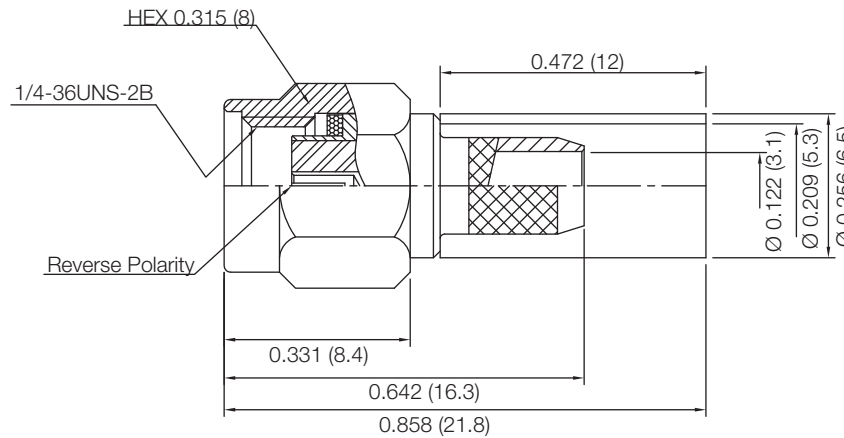
INITIAL

Electrical Data

Impedance	50 Ω
Frequency Range	Per Cable Per MIL-C-17
Working Voltage	335 VRMS
Insulation Resistance	$\geq 5,000 M\Omega$
Dielectric Withstanding Voltage	1,000 VRMS
VSWR	≤ 1.2

Mechanical Data

Durability	500 Cycles Min.
Temperature Range:	-45 °C - 155 °C
Coupling Proof Torque	min. 15 Inch-Pounds

RoHS Compliant

Drawing not to scale. Dimensions for reference only

Units: inches (mm)

Konnect RF

WWW.KONNECTRF.COM
1-800-790-5887

PART NUMBER

KCC187851

DESCRIPTION

SMA Straight Male Plug Reverse Polarity, Crimp

CAGE CODE

664U0

SIGNATURE

X

Cable Types: RG-58, LMR-195**Component**

Body, Nut, & Ferrule
Center Contact
Insulator

Material

Brass
BeCu
PTFE

Plating

Nickel
Gold

THIS DRAWING INCLUDING THE
DESIGNS IS THE PROPERTY OF
KONNECT RF AND IS NOT TO
BE USED FOR ANY PURPOSE
WITHOUT OUR APPROVAL.