

PART NUMBER

KCC187840

REV.

DATE

COMMENTS

INITIAL

Electrical Data

| | |
|---------------------------------|-------------------------|
| Impedance | 50 Ω |
| Frequency Range | DC - 18 GHz. |
| Working Voltage | 335 VRMS Max |
| Contact Resistance | ≤ 3 m Ω |
| Insulation Resistance | $\geq 5,000$ M Ω |
| Dielectric Withstanding Voltage | 1,000 VRMS |

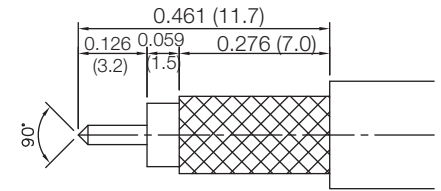
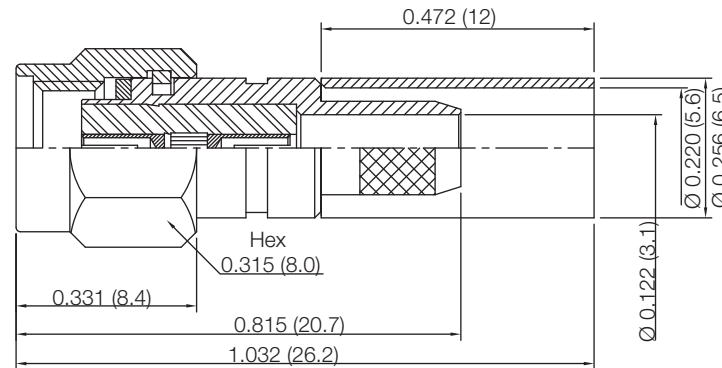
Mechanical Data

| | |
|------------------------------|-----------------|
| Durability | 500 Cycles Min. |
| Coupling Nut Torque | 12Ncm - 170Ncm |
| Coupling Nut retention force | >200N |
| Contact Captivation | >27N |

Environmental

Operating and Storage Range -45 °C - 85 °C/ -65 °C - 125 °C
 Vibration test; MIL-STD-202, Method 204, Condition D
 Mechanical Shock; MIL-STD-202, Method 213, Condition I
 Moisture Resistance; MIL-STD-202, Method 106

*Center Contact Non-Captivated/Crimp Outer-Spring Finger Center

RoHS Compliant

Recommended Stripping DIM'S
 Recommended Crimp DIES : Hex 0.217 (5.5)

Drawing not to scale. Dimensions for reference only

Units: inches (mm)

WWW.KONNECTRF.COM
 1-800-790-5887

PART NUMBER

KCC187840

DESCRIPTION

SMA Straight Male Plug Reverse Polarity, One Step, Crimp

CAGE CODE

664U0

SIGNATURE

X

THIS DRAWING INCLUDING THE
 DESIGNS IS THE PROPERTY OF
 KONNECT RF AND IS NOT TO
 BE USED FOR ANY PURPOSE
 WITHOUT OUR APPROVAL.

Cable Type: RG-400
Component
 Body & Coupling Nut
 Center Contact
 Ferrule
 Insulator

Material
 Brass
 BeCu
 Brass
 PTFE

Plating
 Gold
 Gold
 Gold