

PART NUMBER

**KCC187819**

REV.

DATE

COMMENTS

INITIAL

**Electrical Data**

Impedance	50 $\Omega$
Frequency Range	DC - 18 GHz.
Working Voltage	335 VRMS Max
Contact Resistance	$\leq 3$ m $\Omega$
Insulation Resistance	$\geq 5,000$ M $\Omega$
Dielectric Withstanding Voltage	1,000 VRMS

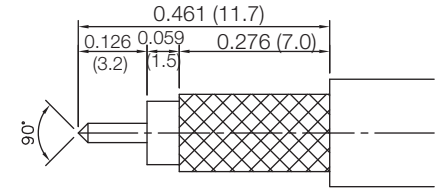
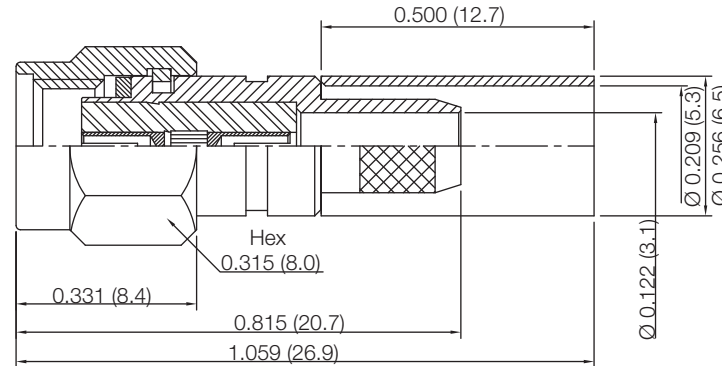
**Mechanical Data**

Durability	500 Cycles Min.
Coupling Nut Torque	12Ncm - 170Ncm
Coupling Nut retention force	>200N
Contact Captivation	>27N

**Environmental**

Operating and Storage Range -45 °C - 85 °C/ -65 °C - 125 °C  
 Vibration test; MIL-STD-202, Method 204, Condition D  
 Mechanical Shock; MIL-STD-202, Method 213, Condition I  
 Moisture Resistance; MIL-STD-202, Method 106

\*Center Contact Non-Captivated/Crimp Outer-Spring Finger Center

**RoHS Compliant**

Recommended Stripping DIM'S  
 Recommended Crimp DIES : Hex 0.217 (5.5)

Drawing not to scale. Dimensions for reference only

Units: inches (mm)

WWW.KONNECTRF.COM  
 1-800-790-5887

PART NUMBER

**KCC187819**

DESCRIPTION

**SMA Straight Male Plug Reverse Polarity, One Step, Crimp**

CAGE CODE

**664U0**

SIGNATURE

X

THIS DRAWING INCLUDING THE  
 DESIGNS IS THE PROPERTY OF  
 KONNECT RF AND IS NOT TO  
 BE USED FOR ANY PURPOSE  
 WITHOUT OUR APPROVAL.

**Cable Type:** RG-58, LMR195**Component**

Body &amp; Coupling Nut

Center Contact

Ferrule

Insulator

**Material**

Brass

BeCu

Brass

PTFE

**Plating**

Gold

Gold

Gold