

PART NUMBER

**KCC187818**

REV.

DATE

COMMENTS

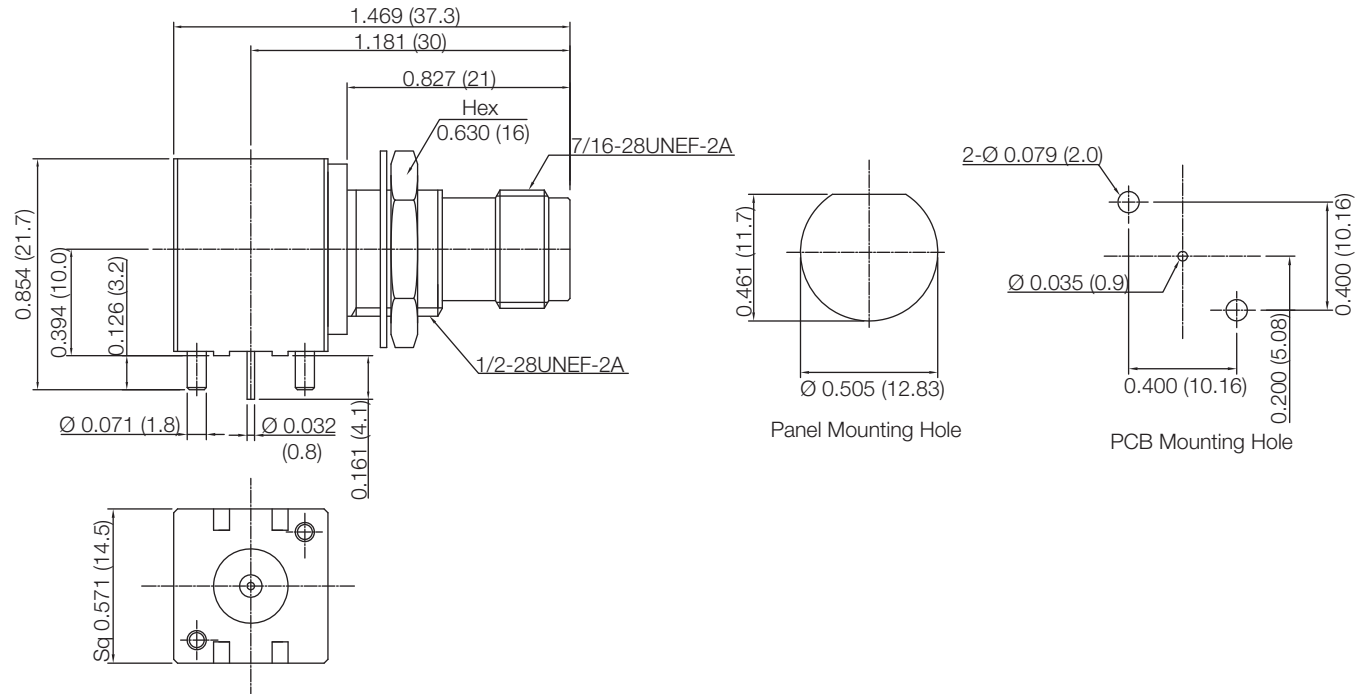
INITIAL

**Electrical Data**

|                       |                             |
|-----------------------|-----------------------------|
| Impedance             | 50 $\Omega$                 |
| Frequency Range       | DC - 4 GHz.                 |
| Insertion Loss        | $\leq$ 0.25 dB              |
| Voltage Rating        | 500 VRMS                    |
| Contact Resistance    |                             |
| Center                | $\leq$ 1.5 m $\Omega$       |
| Outer                 | $\leq$ 1.0 m $\Omega$       |
| Contact Current       | DC 3.5A VRMS                |
| Insulation Resistance | $\geq$ 5,000 M $\Omega$ min |
| VSWR                  | $\leq$ 1.35                 |

**Mechanical Data**

Temperature Range: -40 °C - 145 °C



Drawing not to scale. Dimensions for reference only

Units: inches (mm)

**RoHS Compliant****Konnect RF**

WWW.KONNECTRF.COM  
1-800-790-5887

PART NUMBER

**KCC187818**

DESCRIPTION

**TNC Right Angle Female Jack 2 Leg PC Board Receptacle, Bulkhead Rear Mount**

CAGE CODE

**664U0**

SIGNATURE

X

THIS DRAWING INCLUDING THE DESIGNS IS THE PROPERTY OF KONNECT RF AND IS NOT TO BE USED FOR ANY PURPOSE WITHOUT OUR APPROVAL.

**Component**

Body, Nut, & Washer  
Center Contact  
Insulator

**Material**

Brass  
BeCu  
PTFE

**Plating**

Nickel  
Gold